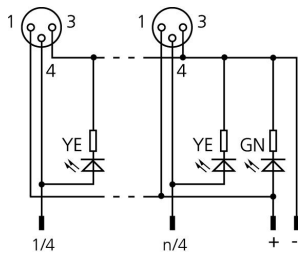
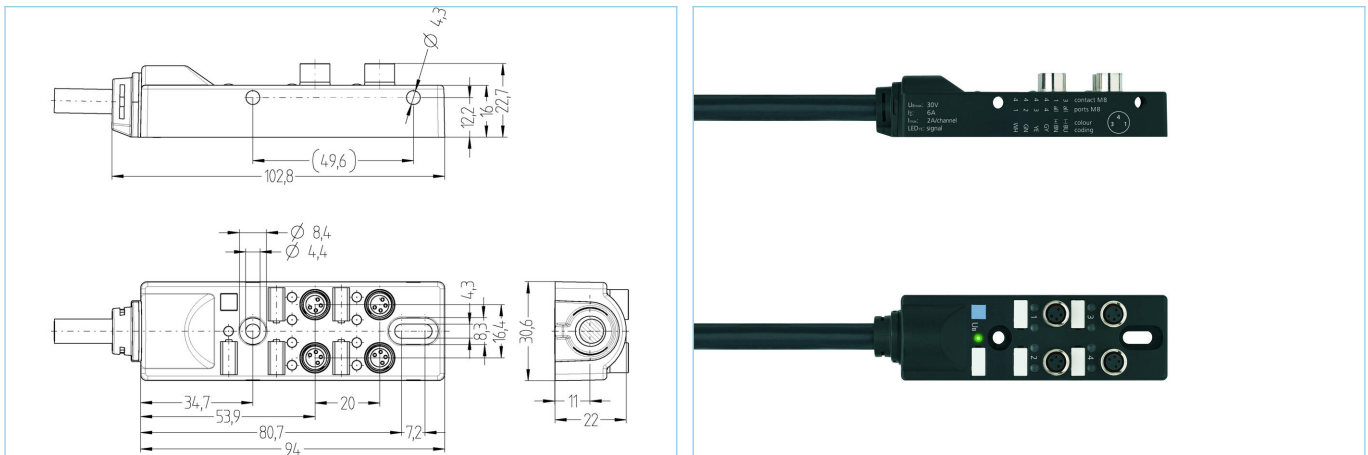


## I/O-junctions passive, 4 ports, fixed cable connection, M8, female, 3 poles



### Product data

|                    |                             |
|--------------------|-----------------------------|
| Item description   | 4IOM8-3P2C-m/S370           |
| Item-No.           | V0007168                    |
| Länge              | on demand                   |
| Customs tariff-No. | 85444290                    |
| Step-File          | 4IOM8-3P2C.stp              |
| Remark             | Labels (white) not included |

### Technical data

|                                |                          |
|--------------------------------|--------------------------|
| I/O-junction                   | 10-way, with cable       |
| I/O-slot                       | female, M8               |
| Number of pins                 | 3                        |
| Rated voltage                  | 30V                      |
| Current load per pin (at 40°C) | 2A                       |
| Total current load             | 6A                       |
| Insulation resistance          | $\geq 10^9 \Omega$       |
| Resistance                     | $\leq 5 m\Omega$         |
| Ambient temperature product    | -30°C...+90°C            |
| Number of LEDs                 | 5                        |
| Number of I/O-slots            | 4                        |
| Circuit logic                  | npn                      |
| Signal status-indicator        | LED YE                   |
| Operating voltage-indicator    | LED GN                   |
| Contact material               | Metal, CuZn, gold-plated |
| Contact-carrier material       | Plastic, PA, BK          |
| Sealing (female) material      | FPM/FKM                  |
| Housing material               | Plastic, PA, BK          |

|                                |                        |
|--------------------------------|------------------------|
| Thread insert material         | Metal, CuZn            |
| Connecting type                | Fixed cable connection |
| Standards                      | IEC 61076-2-104        |
| Degree of protection (mounted) | IP65, IP67             |
| Mechanical life-cycle          | >100 mating cycles     |
| Degree of pollution            | 3                      |

**Cable web** PUR, UL, S370

Flexible, silicone- and halogen-free control line with high mechanical strength. The cable is chemicals, hydrolysis-, and microbes- resistant. The drag-chain application is possible at a bending radius of minimum 10 x d. Due to its weld-field immunity, the cable is very well suited for the flexible application in robotics, machine-tool, and metal-cutting production. The cables meet the UL and CSA (UL10493/20549; cULus) requirements.

|                              |  |
|------------------------------|--|
| Outer diameter of jacket     | 6.5 mm   |
| Cable-jacket material        | PUR  |
| Jacket color                 | BK, similar RAL9005  |
| Wire cross-section           | 4 x 0.25 mm <sup>2</sup> + 2 x 0.75 mm <sup>2</sup>                          |
| Wire insulation material     | PP   |
| Wire colors                  | GY, BN, YE, GN, WH, BU   |
| Bending radius (repeated)    | min. 10 x Ø-cable  |
| Temperature range (repeated) | -25°C...+90°C  |
| Temperature range (fixed)    | -40°C...+90°C  |
| Drag chain-application       | ≥5 Mio. cycles   |
| Halogen-free                 | Yes  |
| Torsion                      | +/-180°/m, ≥ 0.5 Mio. cycles   |
| Special features             | flame retardant, halogen free, LABS free, RoHs compliant, drag chain-adapted |

**Allocation chart**

| I/O   | 1  | 2  | 3  | 4  | all (+) | all (-) |
|-------|----|----|----|----|---------|---------|
| Pin   | 4  | 4  | 4  | 4  | 1       | 3       |
| Cable | WH | GN | YE | GY | BN      | BU      |

**Classification**

|            |          |
|------------|----------|
| eCl@ss 6.0 | 27279219 |
| eCl@ss 7.0 | 27279219 |
| eCl@ss 8.0 | 27279219 |
| eCl@ss 9.0 | 27440108 |
| ETIM 5.0   | EC002585 |
| ETIM 6.0   | EC002585 |

**Accessories**

Labels, I/O-junction passive, I/O-junction active  
<https://www.escha.net/en/products/standard/accessories-for-connectivity/8011349>

Screw plug, M8  
<https://www.escha.net/en/products/standard/accessories-for-connectivity/8081771>

Accessories set, I/O-junction passive, I/O-junction active, M8  
<https://www.escha.net/en/products/standard/accessories-for-connectivity/8087214>