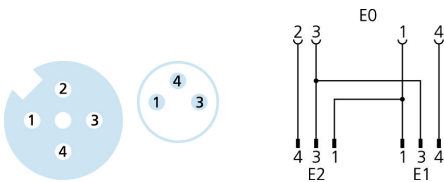
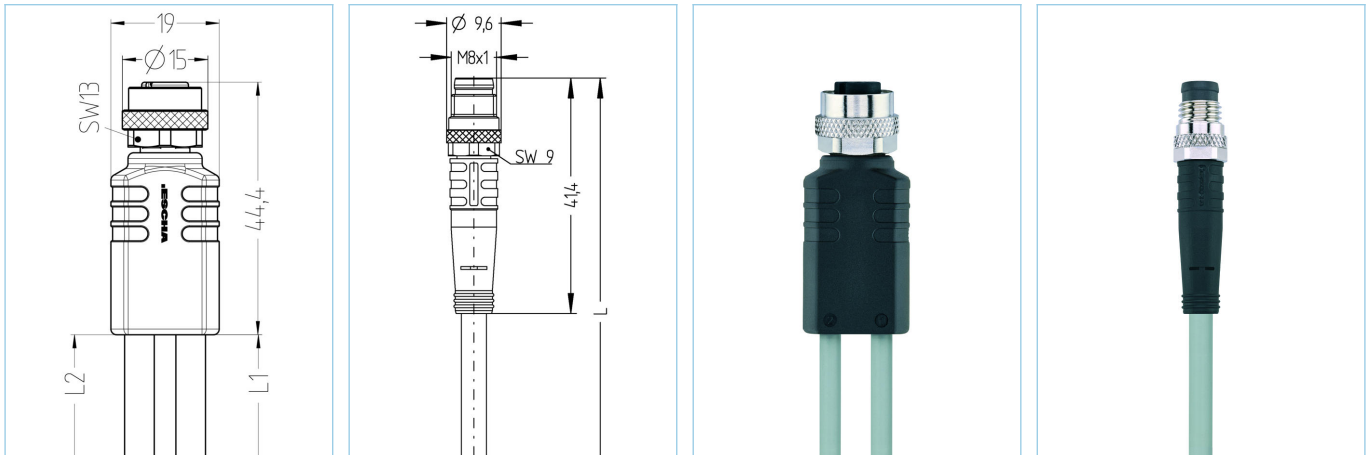


Y-splitter, M12, female, straight, 4 poles, with cable outlet, M8, male, straight, 3 poles, M8, male, straight, 3 poles



Product data

| | |
|--------------------|----------------------------|
| Item description | YK-FK4M12-2AL-SSP3-m/m/P00 |
| Item-No. | V0007022 |
| Länge | on demand |
| Customs tariff-No. | 85444290 |
| Step-File | YK-FK4M12-2AL-SSP3-L_L.stp |

| Technical data | Exit 0 | Exit 1 | Exit 2 |
|--------------------------|----------------------------|----------------------------|----------------------------|
| Connector | female, M12, straight | male, M8, straight | male, M8, straight |
| Contact material | Metal, CuZn, gold-plated | Metal, CuSn, gold-plated | Metal, CuSn, gold-plated |
| Contact-carrier material | Plastic, TPU, BK | Plastic, TPU, BK | Plastic, TPU, BK |
| Coupling nut material | Metal, CuZn, nickel-plated | Metal, CuZn, nickel-plated | Metal, CuZn, nickel-plated |
| Rated voltage | 60V | 60V | 60V |
| Coding of | A | A | A |
| Number of pins | 4 | 3 | 3 |
| Current load (at 40°C) | 4A | 4A | 4A |

| | |
|--------------------------------|----------------------|
| Insulation resistance | $\geq 10^8 \Omega$ |
| Ambient temperature product | -30°C...+90°C |
| Grip body material | Plastic, TPU, BK |
| Sealing (female) material | FPM/FKM |
| Mechanical life-cycle | >100 mating cycles |
| Standards | IEC 61076-2-101/-104 |
| Degree of protection (mounted) | IP65, IP67, IP68 |
| Degree of pollution | 3 |

| | |
|------------------|---------------------|
| Cable web | PVC, P00, GY |
|------------------|---------------------|

PVC-cable for measurement and control-, and sensor technology. Suitable for applications in dry areas on packaging machines, assembly- and conveyor technology. High flexibility with unstressed movement (conditional drag-chain application possible). Predestined for applications in food- and beverage industry.

| | |
|------------------------------|--|
| Outer diameter of jacket | 4.00 mm |
| Cable-jacket material | PVC |
| Jacket color | GY, similar RAL7040 |
| Wire cross-section | 3 x 0.25 mm ² |
| Wire insulation material | PVC |
| Wire colors | BN, BU, BK |
| Wire structure | 14 x 0.15 mm |
| Bending radius (fixed) | 5 x Ø-cable |
| Bending radius (repeated) | 10 x Ø-cable |
| Temperature range (repeated) | 0°C...+80°C |
| Temperature range (fixed) | -25°C...+80°C |
| Rated voltage cable | ≤300 V |
| Special features | good resistance against oils and chemicals, LABS free, ozone resistant, recyclable, RoHs compliant, acid- and alkali resistant, seawater resistant, UV resistant |

| | |
|-----------------------|--|
| Classification | |
|-----------------------|--|

| | |
|------------|----------|
| eCl@ss 6.0 | 27279218 |
| eCl@ss 7.0 | 27279218 |
| eCl@ss 8.0 | 27279218 |
| eCl@ss 9.0 | 27060313 |
| ETIM 5.0 | EC001855 |
| ETIM 6.0 | EC001855 |