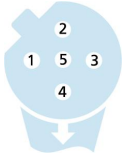
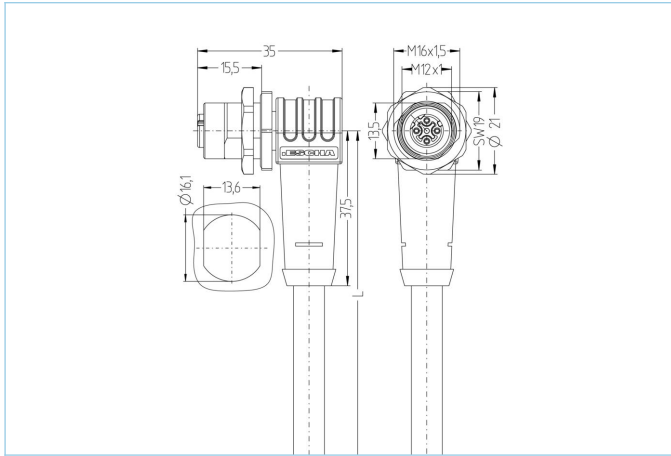


Receptacle Single-ended cordset, M12, female, angled, 5 poles, B-coded, back wall-mounting, shielded, Profi-bus



Product data

| | |
|--------------------|----------------------------|
| Item description | PB-WFKFDSW2.012-m/16/S1800 |
| Item-No. | V0005251 |
| Länge | on demand |
| Customs tariff-No. | 85444290 |
| Step-File | PB-WFKFDSW2_012-m_16.stp |

Technical data

| | |
|--------------------------------|---|
| Connector | female, angled, M12 |
| Number of pins | 5 |
| Pin assignment | 1 n.c., 2 GN, 3 n.c., 4 RD, 5 n.c. |
| Coding | B |
| Rated voltage | 60V |
| Current load per pin (at 40°C) | 4A |
| Insulation resistance | ≥10 ⁹ Ω |
| Ambient temperature product | -30°C...+90°C |
| Contact material | Metal, CuZn, gold-plated |
| Contact-carrier material | Plastic, TPU, VT |
| Grip body material | Plastic, TPU, BK |
| Receptacle housing material | Metal, CuZn, nickel-plated |
| Sealing (female) material | FPM/FKM |
| Material of external sealing | NBR |
| Shielding | with shielding |
| Mounting direction | Back wall-mounting (incl. Fixing screw) |
| Adjustable fixing screw | Yes |
| Fastening thread | M16x1.5 |

| | |
|--------------------------------|--------------------|
| Connecting type | Cable |
| Standards | IEC 61076-2-101 |
| Degree of protection (mounted) | IP65, IP67, IP68 |
| Mechanical life-cycle | >100 mating cycles |
| Degree of pollution | 3 |
| Style | angled |

Advanced technical data rail approved

| | |
|--------------------------------|--|
| Standards | DIN EN 50155, DIN EN 45545-2 |
| Shock & vibration | Class 1, Category B (DIN EN 61373) |
| Degree of protection (mounted) | IP67 (-30°C...+90°C), IP65 (-40°C...+90°C) |
| Temperature range | Tx (-40°C...+90°C) |
| Fire prevention according to | DIN EN 45545-2 HL1-3 |

Cable web PUR, UL, S1800, Profibus

UL- and CSA-listed shielded PUR-cable for automation technology (control of sensors and actuators). Suited for common variants of PROFIBUS DP and PROFIBUS PA. Setup and materials used allow for applications under harsh environment conditions (abrasion, bending, vibrations etc.). Drag-chain application is possible. (>1million bending cycles).

| | |
|--------------------------------|--|
| Outer diameter of jacket | 7.60 mm |
| Cable-jacket material | PUR |
| Jacket color | VT similar RAL4001 |
| Wire cross-section | 1 x 2 x 0.34 mm ² |
| Wire insulation material | PE |
| Wire colors | RD, GN |
| Wire structure | 19 x 0.15 mm |
| Bending radius (fixed) | 5 x Ø-cable |
| Bending radius (repeated) | 15 x Ø-cable |
| Temperature range (repeated) | -25°C...+80°C |
| Temperature range (fixed) | -50°C...+80°C |
| Temperature range (drag chain) | -25°C...+60°C |
| Drag chain-application | >1Mio. cycles |
| Shielding | Yes |
| Halogen-free | Yes |
| Rated voltage cable | 300 V |
| Special features | flame retardant, halogen free, high flexibility, hydrolysis proof, LABS free, microbes resistant, oil resistant, ozone resistant, recyclable, RoHs compliant, acid- and alkali resistant, drag chain-adapted, seawater resistant, UV resistant |

Classification

| | |
|------------|----------|
| eCl@ss 6.0 | 27279220 |
| eCl@ss 7.0 | 27440103 |
| eCl@ss 8.0 | 27440103 |
| eCl@ss 9.0 | 27440103 |
| ETIM 5.0 | EC002061 |
| ETIM 6.0 | EC002061 |