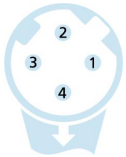
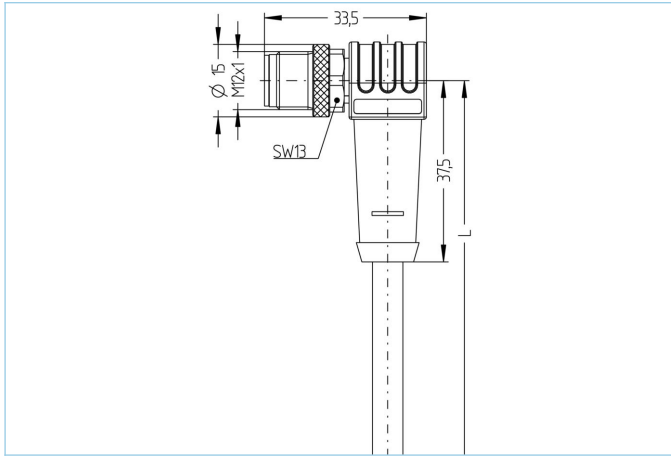


M12, male, angled, 4 poles, D-coded, M12, male, angled, 4 poles, D-coded, shielded, Industrial Ethernet 100 MBit/s



| Product data | |
|--------------------|---------------------------------------|
| Item description | IE-WWASSY4.082-m-IE-WWASSY4.082/S3400 |
| Item-No. | V0004583 |
| Länge | on demand |
| Customs tariff-No. | 85444290 |
| Step-File | IE-WWASSY4-m-IE-WWASSY4.stp |
| Label-carrier | 2 pieces |

| Technical data | A-side | B-side |
|--------------------------------|----------------------------|----------------------------|
| Connector | male, angled, M12 | male, angled, M12 |
| Number of pins | 4 | 4 |
| Pin assignment | 1 WHOG, 2 WHBU, 3 OG, 4 BU | 1 WHOG, 2 WHBU, 3 OG, 4 BU |
| Coding of | D | D |
| Rated voltage | 60V | 60V |
| Current load (at 40°C) | 4A | 4A |
| Insulation resistance | ≥10 ⁸ Ω | ≥10 ⁸ Ω |
| Resistance | ≤ 5mΩ | ≤ 5mΩ |
| Transmission features | Cat5e | Cat5e |
| Ambient temperature product | -30°C...+90°C | -30°C...+90°C |
| Contact material | Metal, CuSn, gold-plated | Metal, CuSn, gold-plated |
| Contact-carrier material | Plastic, TPU, GN | Plastic, TPU, GN |
| Grip body material | Plastic, TPU, BK | Plastic, TPU, BK |
| Coupling nut material | Metal, CuZn, nickel-plated | Metal, CuZn, nickel-plated |
| Shielding | with shielding | with shielding |
| Standards | IEC 61076-2-101 | IEC 61076-2-101 |
| Degree of protection (mounted) | IP65, IP67, IP68 | IP65, IP67, IP68 |
| Mechanical life-cycle | >100 mating cycles | >100 mating cycles |
| Degree of pollution | 3 | 3 |

| | |
|------------------|------------------------------|
| Cable web | Cat5e, PUR, UL, S3400 |
|------------------|------------------------------|

Shielded PUR Ethernet-cable for industrial applications. Fits to real-time requirements according to IEC61158. The cable meets the UL-Style 21815 (80°/300V)- and the Cat5 (electrical properties according to EN50288-2-2) requirements. Materials and a constructive setup for increased mechanical stresses (abrasion, bending, vibrations etc.) of the cable. Drag-chain/torsion operations are possible. High tensile strength through incorporated Kevlar-strands.

| | |
|------------------------------|---|
| Outer diameter of jacket | 4.80 mm |
| Cable-jacket material | PUR |
| Jacket color | GN, similar RAL6018 |
| Wire cross-section | 1 x 4 x AWG26, star quad |
| Wire insulation material | PP |
| Wire colors | WHBU/BU, WHOG/OG |
| Wire structure | 19 x 0.10 mm |
| Bending radius (fixed) | 4 x Ø-cable |
| Bending radius (repeated) | 7,5 x Ø-cable |
| Temperature range (repeated) | -30°C...+70°C |
| Temperature range (fixed) | -40°C...+80°C |
| Transmission features | Cat5 |
| Rated voltage cable | 300 V UL rating |
| Special features | halogen free, high flexibility, hydrolysis proof, LABS free, microbes resistant, oil resistant, ozone resistant, recyclable, RoHs compliant, acid- and alkali resistant, drag chain-adapted, seawater resistant, UV resistant |

| | |
|-----------------------|--|
| Classification | |
|-----------------------|--|

| | |
|------------|----------|
| eCl@ss 6.0 | 27060307 |
| eCl@ss 7.0 | 27060307 |
| eCl@ss 8.0 | 27060307 |
| eCl@ss 9.0 | 27060307 |
| ETIM 5.0 | EC000830 |
| ETIM 6.0 | EC000830 |