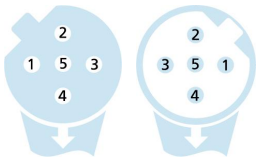
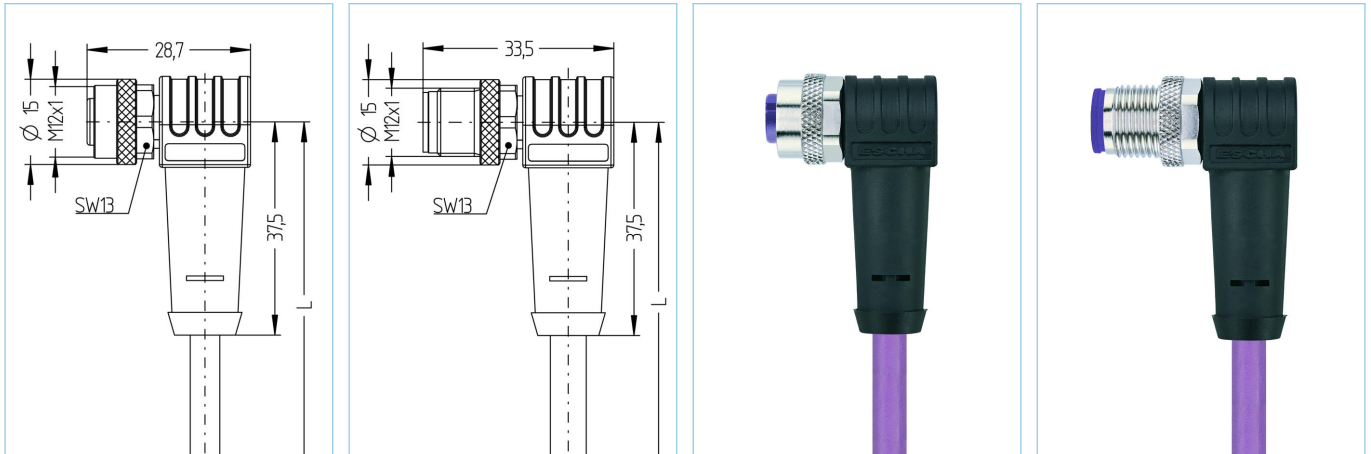


M12, female, angled, 4 poles, B-coded, M12, male, angled, 4 poles, B-coded, shielded, Profibus



| Product data | |
|--------------------|---------------------------------------|
| Item description | PB-WWAKSW2.012-m-PB-WWASSW2.012/S1800 |
| Item-No. | V0002930 |
| Länge | on demand |
| Customs tariff-No. | 85444290 |
| Step-File | PB-WWAKSW2-m-PB-WWASSW2.stp |
| Label-carrier | 2 pieces |

| Technical data | A-side | B-side |
|--------------------------------|----------------------------|----------------------------|
| Connector | female, angled, M12 | male, angled, M12 |
| Number of pins | 4 | 4 |
| Pin assignment | 1 n.c., 2 GN, 3 n.c., 4 RD | 1 n.c., 2 GN, 3 n.c., 4 RD |
| Coding of | B | B |
| Rated voltage | 60V | 60V |
| Current load (at 40°C) | 4A | 4A |
| Insulation resistance | $\geq 10^8 \Omega$ | $\geq 10^8 \Omega$ |
| Resistance | $\leq 5 m\Omega$ | $\leq 5 m\Omega$ |
| Ambient temperature product | -30°C...+90°C | -30°C...+90°C |
| Contact material | Metal, CuZn, gold-plated | Metal, CuZn, gold-plated |
| Contact-carrier material | Plastic, TPU, VT | Plastic, TPU, VT |
| Grip body material | Plastic, TPU, BK | Plastic, TPU, BK |
| Coupling nut material | Metal, CuZn, nickel-plated | Metal, CuZn, nickel-plated |
| Sealing (female) material | FPM/FKM | |
| Shielding | with shielding | with shielding |
| Standards | IEC 61076-2-101 | IEC 61076-2-101 |
| Degree of protection (mounted) | IP65, IP67, IP68 | IP65, IP67, IP68 |
| Mechanical life-cycle | >100 mating cycles | >100 mating cycles |
| Degree of pollution | 3 | 3 |

| | |
|------------------|---------------------------------|
| Cable web | PUR, UL, S1800, Profibus |
|------------------|---------------------------------|

UL- and CSA-listed shielded PUR-cable for automation technology (control of sensors and actuators). Suited for common variants of PROFIBUS DP and PROFIBUS PA. Setup and materials used allow for applications under harsh environment conditions (abrasion, bending, vibrations etc.). Drag-chain application is possible. (>1million bending cycles).

| | |
|--------------------------------|--|
| Outer diameter of jacket | 7.60 mm |
| Cable-jacket material | PUR |
| Jacket color | VT similar RAL4001 |
| Wire cross-section | 1 x 2 x 0.34 mm ² |
| Wire insulation material | PE |
| Wire colors | RD, GN |
| Wire structure | 19 x 0.15 mm |
| Bending radius (fixed) | 5 x Ø-cable |
| Bending radius (repeated) | 15 x Ø-cable |
| Temperature range (repeated) | -25°C...+80°C |
| Temperature range (fixed) | -50°C...+80°C |
| Temperature range (drag chain) | -25°C...+60°C |
| Drag chain-application | >1Mio. cycles |
| Shielding | Yes |
| Halogen-free | Yes |
| Rated voltage cable | 300 V |
| Special features | flame retardant, halogen free, high flexibility, hydrolysis proof, LABS free, microbes resistant, oil resistant, ozone resistant, recyclable, RoHS compliant, acid- and alkali resistant, drag chain-adapted, seawater resistant, UV resistant |

| | |
|-----------------------|--|
| Classification | |
|-----------------------|--|

| | |
|------------|----------|
| eCl@ss 6.0 | 27279218 |
| eCl@ss 7.0 | 27279218 |
| eCl@ss 8.0 | 27279218 |
| eCl@ss 9.0 | 27060311 |
| ETIM 5.0 | EC001855 |
| ETIM 6.0 | EC001855 |

| |
|--------------------|
| Accessories |
|--------------------|

Mounting-clip, M12
<https://www.escha.net/en/products/standard/accessories-for-connectivity/8047660>

Torque-wrench set
<https://www.escha.net/en/products/standard/accessories-for-connectivity/8055431>

Marking rings Ø 9mm
<https://www.escha.net/en/products/standard/accessories-for-connectivity?p=1&o=3&n=15&f=809>

Screw plug, M12
<https://www.escha.net/en/products/standard/accessories-for-connectivity?p=1&o=3&n=15&f=812>

Screw cap, M12
<https://www.escha.net/en/products/standard/accessories-for-connectivity?p=1&o=3&n=15&f=811>