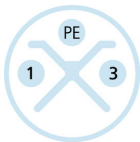
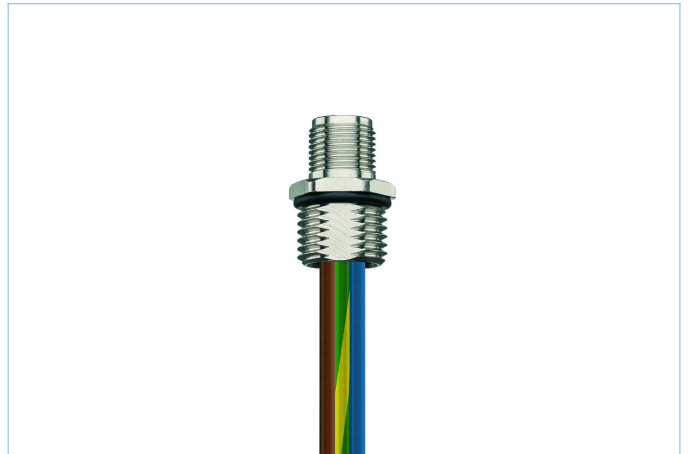
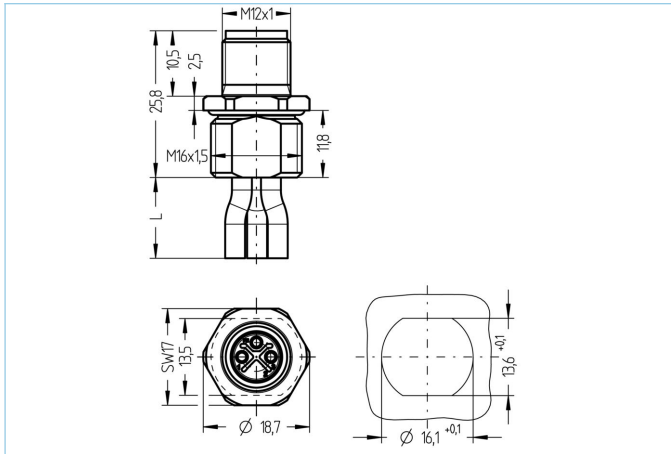


Receptacle, M12, male, straight, 2+PE, S-coded, front wall-mounting, wire contact, POWER



**Product data**

Item description	PS-FVM12SU3.002-0,5/M16/S5015
Item-No.	8109383
Customs tariff-No.	85444290
Packaging unit	5
Step-File	PS-FVM12SU3-m_M16.stp
EAN	4047106303242

**Technical data**

Connector	male, straight, M12
Number of pins	2+PE
Pin assignment	1 BN, 2 n.c., 3 BU, 4 GNYE
Coding	S
Rated voltage	630V <sub>AC</sub>   600V <sub>AC</sub> (UL)
Current load per pin (at 40°C)	12A
Resistance	≤ 3mΩ
Ambient temperature product	-30°C...+90°C
Contact material	Metal, CuZn, gold-plated
Contact-carrier material	Plastic, PA, BK
Receptacle housing material	Metal, CuZn, nickel-plated
Mounting direction	Front wall-mounting (without fixing screw)
Wire length	0.50m
Wire colors	BN, BU, GNYE
Wire cross-section	3 x 1.5 mm <sup>2</sup>
Wire insulation material	PVC
Fastening thread	M16x1.5

Connecting type	Wire contact
Standards	IEC 61076-2-111
Degree of protection (mounted)	IP65, IP67, IP68
Mechanical life-cycle	>100 mating cycles
Degree of pollution	3
Style	straight
<b>Classification</b>	
eCl@ss 6.0	27279220
eCl@ss 7.0	27440103
eCl@ss 8.0	27440103
eCl@ss 9.0	27440103
ETIM 5.0	EC002061
ETIM 6.0	EC002061