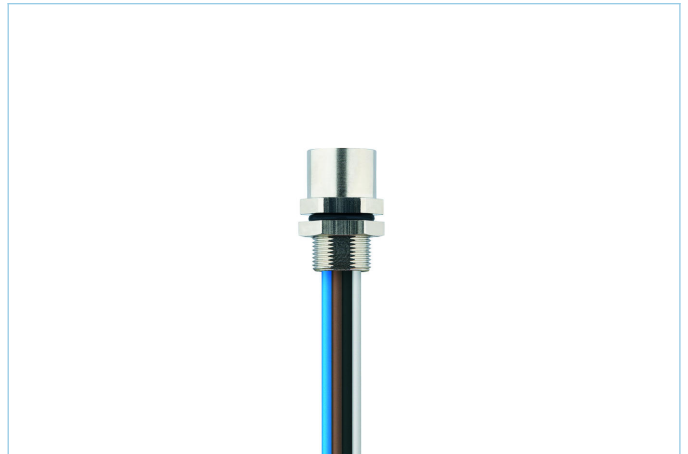
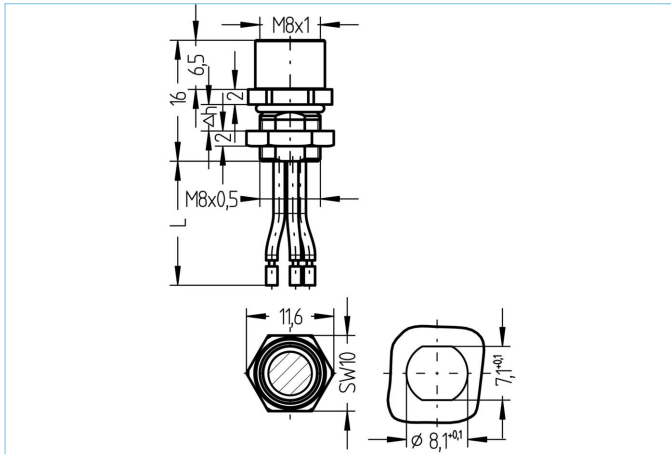


Receptacle, M8, female, straight, 8 poles, front wall-mounting, wire contact



Product data

Item description	AL-FVM8KUA8-0,2/M8
Item-No.	8102074
Customs tariff-No.	85444290
Packaging unit	5
Step-File	AL-FVM8KUA8_m_M8.stp
EAN	4047106293635

Technical data

Connector	female, straight, M8
Number of pins	8
Pin assignment	1 WH, 2 BN, 3 GN, 4 YE, 5 GY, 6 PK, 7 BU, 8 RD
Coding	A
Rated voltage	30V
Current load per pin (at 40°C)	1.5A
Ambient temperature product	-30°C...+90°C
Contact material	Metal, CuZn, gold-plated
Contact-carrier material	Plastic, TPU, BK
Receptacle housing material	Metal, CuZn, nickel-plated
Sealing (female) material	FPM/FKM
Mounting direction	Front wall-mounting (incl. Fixing screw)
Wall thickness area (Δh)	2,0...5,0 mm
Wire length	0.20m
Wire colors	WH, BN, GN, YE, GY, PK, BU, RD
Wire cross-section	8 x 0,14 mm ²
Wire insulation material	PVC
Fastening thread	M8x0,5

Connecting type	Wire contact
Standards	IEC 61076-2-104
Degree of protection (mounted)	IP65, IP67, IP68
Mechanical life-cycle	>100 mating cycles
Degree of pollution	3
Style	straight

Classification

eCl@ss 6.0	27279220
eCl@ss 7.0	27440103
eCl@ss 8.0	27440103
eCl@ss 9.0	27440103
ETIM 5.0	EC002061
ETIM 6.0	EC002061

Link to product

<https://www.escha.net/en/products/standard/receptacles/8102074>