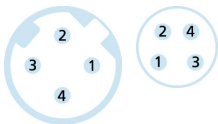
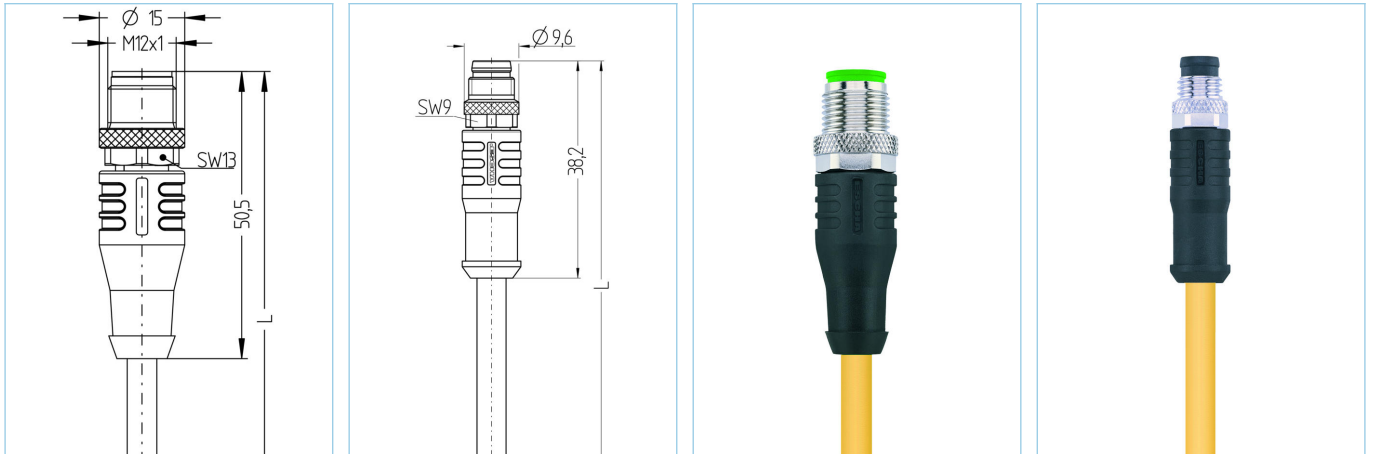


M12, male, straight, 4 poles, D-coded, M8, male, straight, 4 poles, shielded, Industrial Ethernet 100 MBit/s



EtherCAT



Product data

Item description	IE-WASSY4.029-1-IE-SSPS4.054/S1329
Item-No.	8101198
Length	1m
Customs tariff-No.	85444290
Step-File	IE-WASSY4-m-IE-SSPS4.stp
EAN	4047106286835
Label-carrier	2 pieces

Technical data	A-side	B-side
Connector	male, straight, M12	male, straight, M8
Number of pins	4	4
Pin assignment	1 YE, 2, WH, 3 OG, 4 BU	1 YE, 2, WH, 3 BU, 4 OG
Coding of	D	A
Rated voltage	250V	60V
Current load (at 40°C)	4A	4A
Insulation resistance	$\geq 10^9 \Omega$	$\geq 10^9 \Omega$
Ambient temperature product	-30°C...+90°C	-30°C...+90°C
Contact material	Metal, CuSn, gold-plated	Metal, CuZn, gold-plated
Contact-carrier material	Plastic, TPU, GN	Plastic, TPU, BK
Grip body material	Plastic, TPU, BK	Plastic, TPU, BK
Coupling nut material	Metal, CuZn, nickel-plated	Metal, CuZn, nickel-plated
Shielding	with shielding	with shielding
Standards	IEC 61076-2-101	IEC 61076-2-104
Degree of protection (mounted)	IP65, IP67, IP68	IP65, IP67, IP68
Mechanical life-cycle	>100 mating cycles	>100 mating cycles
Degree of pollution	3	3

Cable web	Cat5e, PUR, UL, S1329, EtherCAT
------------------	--

Shielded PUR Ethernet-cable for industrial applications. Fits to real-time requirements according to IEC61158. The cable meets the UL-Style 21815 (80°/300V)- and the Cat5e (electrical properties according to EN50288-2-2) requirements. Materials and a constructive setup for increased mechanical stresses (abrasion, bending, vibrations etc.) of the cable. Drag-chain/torsion operations are possible. High tensile strength through incorporated Kevlar-strands.

Outer diameter of jacket	4.65 mm
Cable-jacket material	PUR
Jacket color	YE, similar RAL 1021
Wire cross-section	1 x 4 x AWG26, star quad
Wire insulation material	PP
Wire colors	OG, WH, BU, YE
Wire structure	19 x 0.15 mm
Bending radius (repeated)	8 x Ø-cable
Temperature range (repeated)	-30°C...+70°C
Temperature range (fixed)	-40°C...+80°C
Temperature range (drag chain)	-20°C...+60°C
Halogen-free	Yes
Transmission features	Cat5e
Rated voltage cable	300 V UL rating
Special features	halogen free, high flexibility, hydrolysis proof, LABS free, microbes resistant, oil resistant, ozone resistant, recyclable, RoHs compliant, acid- and alkali resistant, drag chain-adapted, seawater resistant, UV resistant

Classification	
-----------------------	--

eCl@ss 6.0	27060307
eCl@ss 7.0	27060307
eCl@ss 8.0	27060307
eCl@ss 9.0	27060307
ETIM 5.0	EC000830
ETIM 6.0	EC000830

Accessories	
--------------------	--

Torque-wrench set
<https://www.escha.net/en/products/standard/accessories-for-connectivity/8055431>

Marking rings Ø 9mm
<https://www.escha.net/en/products/standard/accessories-for-connectivity?p=1&o=3&n=15&f=809>

Screw cap, M12
<https://www.escha.net/en/products/standard/accessories-for-connectivity?p=1&o=3&n=15&f=811>

Screw cap, M8
<https://www.escha.net/en/products/standard/accessories-for-connectivity/8081761>

Link to product	
------------------------	--

<https://www.escha.net/en/products/standard/data-connectors/8101198>