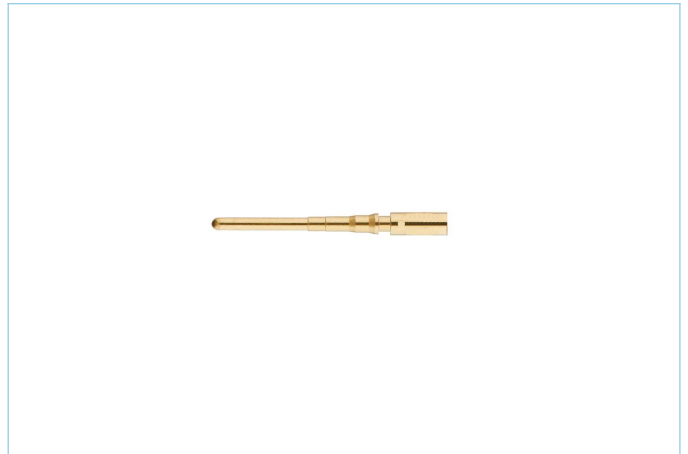
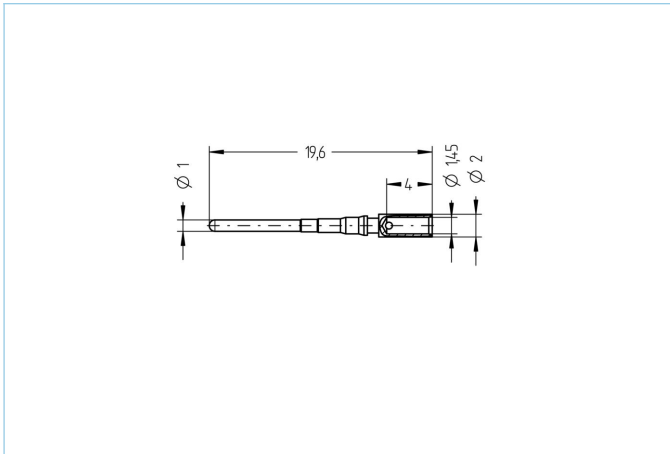


Connector pin, 0,75...1,0mm², AWG 18-16, QTY 100



Product data

| | |
|--------------------|--|
| Item description | VPE Steckerstift 0,75-1mm ² AWG 18-16 |
| Item-No. | 8098131 |
| Length independent | 19,6 mm |
| Packaging unit | 100 |
| Step-File | Steckerstift_AWG18-16.stp |
| EAN | 4047106282400 |

Technical data

| | |
|--------------------------|--|
| Contact material | Metal, CuZn, gold-plated |
| Connecting cross-section | 0,75-1mm ² AWG 18-16 |
| Description | Connector pin used for 8098126 and 8098127 |
| Connecting type | Crimp contact |
| Contact size | 1,45 mm |

Link to product

<https://www.escha.net/en/products/standard/accessories-for-connectivity/8098131>