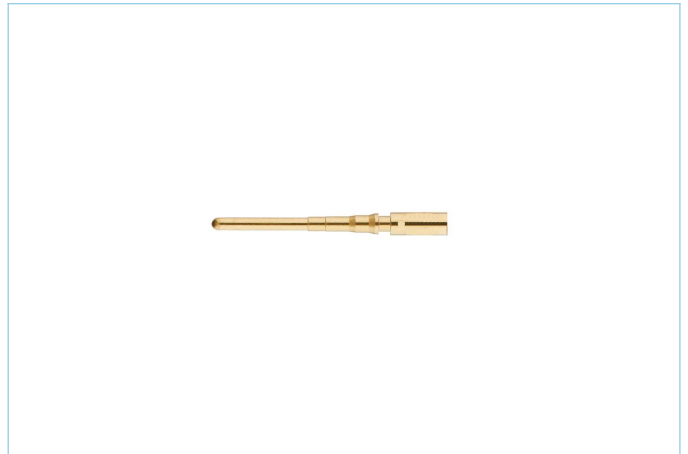
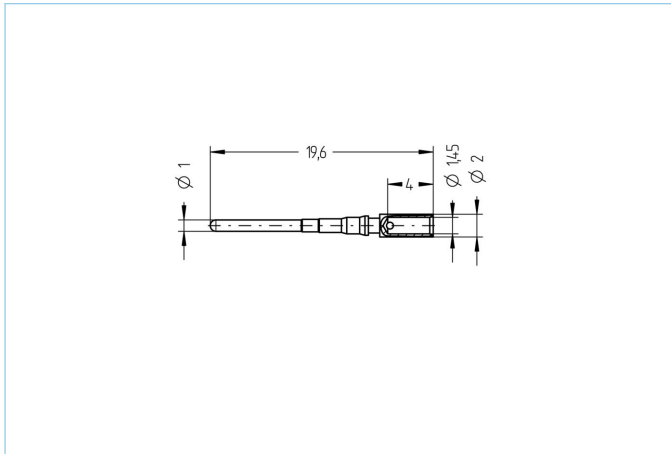


Connector pin, 0,75...1,0mm², AWG 18-16, QTY 25



Product data

Item description	VPE Steckerstift 0,75-1mm ² AWG 18-16
Item-No.	8098130
Length independent	19,6 mm
Packaging unit	25
Step-File	Steckerstift_AWG18-16.stp
EAN	4047106282394

Technical data

Contact material	Metal, CuZn, gold-plated
Connecting cross-section	0,75-1mm ² AWG 18-16
Description	Connector pin used for 8098126 and 8098127
Connecting type	Crimp contact
Contact size	1,45 mm

Link to product

<https://www.escha.net/en/products/standard/accessories-for-connectivity/8098130>