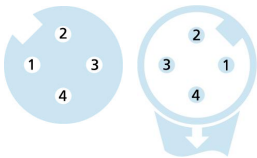
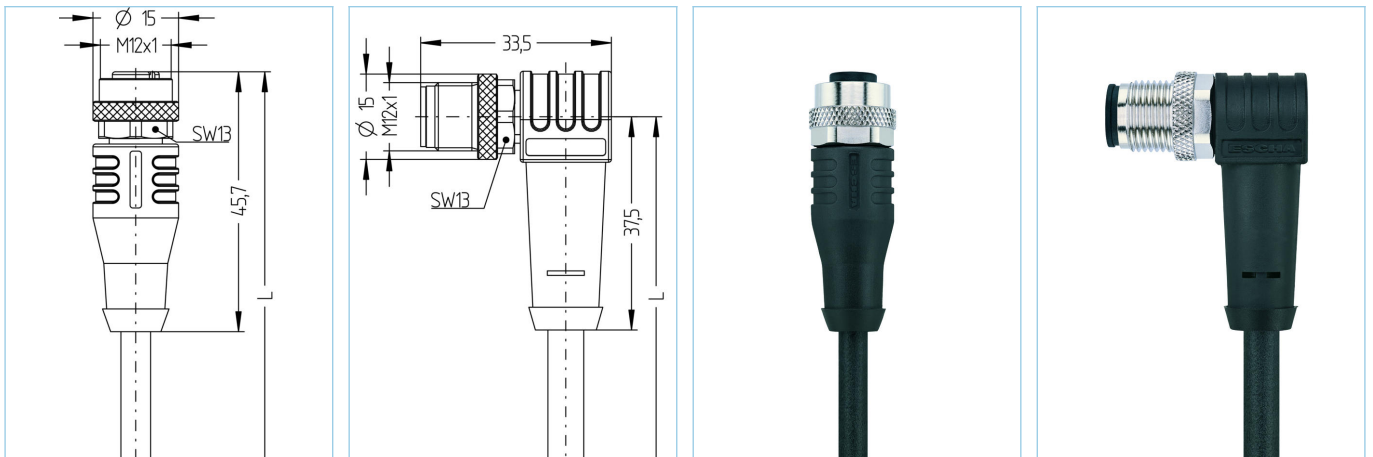


M12, female, straight, 4 poles, M12, male, angled, 4 poles, rail approved



Product data	
Item description	RA-WAK4.001-5-RA-WWAS4.001/S5555
Item-No.	8093728
Length	5m
Customs tariff-No.	85444290
Step-File	RA-WAK4-L-RA-WWAS4.stp
EAN	4047106267216

Technical data	A-side	B-side
Connector	female, straight, M12	male, angled, M12
Number of pins	4	4
Pin assignment	1 BK, 2 BK, 3 BK, 4 BK	1 BK, 2 BK, 3 BK, 4 BK
Coding of	A	A
Rated voltage	250V	250V
Current load (at 40°C)	4A	4A
Insulation resistance	$\geq 10^8 \Omega$	$\geq 10^8 \Omega$
Resistance	$\leq 5m\Omega$	$\leq 5m\Omega$
Contact material	Metal, CuZn, gold-plated	Metal, CuZn, gold-plated
Contact-carrier material	Plastic, PA, BK	Plastic, PA, BK
Grip body material	Plastic, TPU, BK	Plastic, TPU, BK
Coupling nut material	Metal, CuZn, nickel-plated	Metal, CuZn, nickel-plated
Sealing (female) material	FPM/FKM	
Standards	IEC 61076-2-101	IEC 61076-2-101
Mechanical life-cycle	>100 mating cycles	>100 mating cycles
Degree of pollution	3	3

Advanced technical data rail approved	
Standards	DIN EN 50155, DIN EN 45545-2
Shock & vibration	Class 1, Category B (DIN EN 61373)
Degree of protection (mounted)	IP67 (-30°C...+90°C), IP65 (-40°C...+90°C)
Temperature range	Tx (-40°C...+90°C)
Fire prevention according to	DIN EN 45545-2 HL1-3

Cable web	CFSPECIAL.414, 4x0.34 mm², S5555
------------------	--

PVC- and halogen-free cable with improved behaviour in case of fire, no flame propagation, flame retardant and drag chain compatible. The cable is intended for moving applications where bending stresses occur during operation. The cable fulfils the requirements according EN 45545-2 (HL1 - HL3). It is characterized by a wide temperature range and a high UV- and oil resistance.

Outer diameter of jacket	5.0 mm
Cable-jacket material	CFSPECIAL.414
Jacket color	BK, similar RAL9005
Wire cross-section	4 x 0.34 mm ²
Wire insulation material	CFSPECIAL.414
Wire colors	BK 1, BK 2, BK 3, BK 4
Wire structure	43 x 0,1 mm
Bending radius (fixed)	10 x Ø-cable -30°C...-20°C
	7,5 x Ø-cable -20°C...-10°C
	5 x Ø-cable -10°C...+70°C
	7,5 x Ø-cable +70°C...+80°C
Bending radius (repeated)	10 x Ø-cable -20°C...-10°C
	7,5 x Ø-cable -10°C...+70°C
	10 x Ø-cable +70°C...+80°C
Temperature range (repeated)	-20°C...+80°C
Temperature range (fixed)	-30°C...+80°C
Drag chain-application	1 Mio. bending cycles
Fire prevention according to	DIN EN 45545-2 HL1-3, DIN 5510 fire prevention-levels 1-4
Halogen-free	Yes
Torsion	±30° -10°C...+70°C
Special features	increased thermal load, flame retardant, low emission of smoke, halogen free, oil resistant, oil- and fuel resistant, RoHS compliant, self-extinguishing, silicone free, torsion resistant, UV resistant

Classification	
-----------------------	--

eCl@ss 6.0	27279218
eCl@ss 7.0	27279218
eCl@ss 8.0	27279218
eCl@ss 9.0	27060311
ETIM 5.0	EC001855
ETIM 6.0	EC001855

Accessories	
--------------------	--

Torque-wrench set https://www.escha.net/en/products/standard/accessories-for-connectivity/8055431	
Marking rings Ø 9mm https://www.escha.net/en/products/standard/accessories-for-connectivity?p=1&o=3&n=15&f=809	
Screw plug, M12 https://www.escha.net/en/products/standard/accessories-for-connectivity?p=1&o=3&n=15&f=812	
Screw cap, M12 https://www.escha.net/en/products/standard/accessories-for-connectivity?p=1&o=3&n=15&f=811	
Mounting-clip, M12 https://www.escha.net/en/products/standard/accessories-for-connectivity/8047660	
Mounting-set, M12 https://www.escha.net/en/products/standard/accessories-for-connectivity/8047664	
Safety-clip, M12	

Link to product

<https://www.escha.net/en/products/standard/connectors-for-bus-and-rail/8093728>