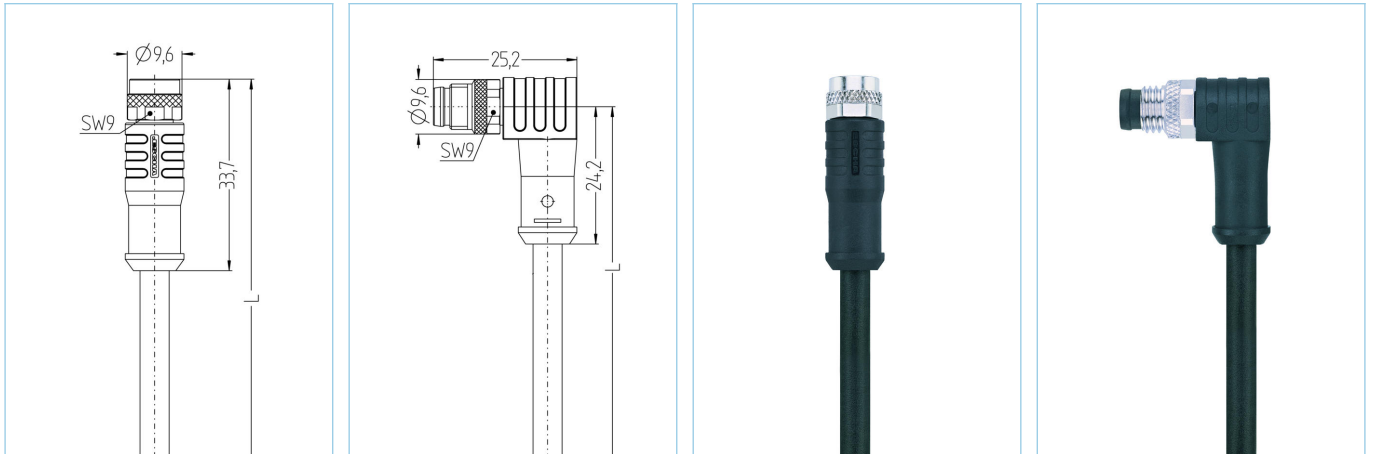


M8, female, straight, 4 poles, M8, male, angled, 4 poles, rail approved



Product data

Item description	RA-SKP4.057-5-RA-SWSP4.057/S5555
Item-No.	8093716
Length	5m
Customs tariff-No.	85444290
Step-File	RA-SKP4-m-RA-SWSP4.stp
EAN	4047106267094

Technical data	A-side	B-side
Connector	female, straight, M8	male, angled, M8
Number of pins	4	4
Pin assignment	1 BK 1, 2 BK 2, 3 BK 3, 4 BK 4	1 BK 1, 2 BK 2, 3 BK 3, 4 BK 4
Rated voltage	60V	60V
Current load (at 40°C)	4A	4A
Insulation resistance	≥10 ⁹ Ω	≥10 ⁹ Ω
Resistance	≤ 5mΩ	≤ 5mΩ
Contact material	Metal, CuZn, gold-plated	Metal, CuZn, gold-plated
Contact-carrier material	Plastic, PA, BK	Plastic, PA, BK
Grip body material	Plastic, TPU, BK	Plastic, TPU, BK
Coupling nut material	Metal, CuZn, nickel-plated	Metal, CuZn, nickel-plated
Sealing (female) material	FPM/FKM	
Standards	IEC 61076-2-104	IEC 61076-2-104
Mechanical life-cycle	>100 mating cycles	>100 mating cycles
Degree of pollution	3	3

Advanced technical data rail approved

Standards	DIN EN 50155, DIN EN 45545-2
Shock & vibration	Class 1, Category B (DIN EN 61373)
Degree of protection (mounted)	IP67 (-30°C...+90°C), IP65 (-40°C...+90°C)
Temperature range	Tx (-40°C...+90°C)

Cable web CFSPECIAL.414, 4x0.34 mm², S5555

PVC- and halogen-free cable with improved behaviour in case of fire, no flame propagation, flame retardant and drag chain compatible. The cable is intended for moving applications where bending stresses occur during operation. The cable fulfils the requirements according EN 45545-2 (HL1 - HL3). It is characterized by a wide temperature range and a high UV- and oil resistance.

Outer diameter of jacket	5.0 mm
Cable-jacket material	CFSPECIAL.414
Jacket color	BK, similar RAL9005
Wire cross-section	4 x 0.34 mm ²
Wire insulation material	CFSPECIAL.414
Wire colors	BK 1, BK 2, BK 3, BK 4
Wire structure	43 x 0,1 mm
Bending radius (fixed)	10 x Ø-cable -30°C...-20°C
	7,5 x Ø-cable -20°C...-10°C
	5 x Ø-cable -10°C...+70°C
	7,5 x Ø-cable +70°C...+80°C
Bending radius (repeated)	10 x Ø-cable -20°C...-10°C
	7,5 x Ø-cable -10°C...+70°C
	10 x Ø-cable +70°C...+80°C
Temperature range (repeated)	-20°C...+80°C
Temperature range (fixed)	-30°C...+80°C
Drag chain-application	1 Mio. bending cycles
Fire prevention according to	DIN EN 45545-2 HL1-3, DIN 5510 fire prevention-levels 1-4
Halogen-free	Yes
Torsion	±30° -10°C...+70°C
Special features	increased thermal load, flame retardant, low emission of smoke, halogen free, oil resistant, oil- and fuel resistant, RoHs compliant, self-extinguishing, silicone free, torsion resistant, UV resistant

Classification

eCl@ss 6.0	27279218
eCl@ss 7.0	27279218
eCl@ss 8.0	27279218
eCl@ss 9.0	27060311
ETIM 5.0	EC001855
ETIM 6.0	EC001855

Accessories
Torque-wrench set

<https://www.escha.net/en/products/standard/accessories-for-connectivity/8055431>

Marking rings Ø 9mm

<https://www.escha.net/en/products/standard/accessories-for-connectivity?p=1&o=3&n=15&f=809>

Screw plug, M8

<https://www.escha.net/en/products/standard/accessories-for-connectivity/8081771>

Screw cap, M8

<https://www.escha.net/en/products/standard/accessories-for-connectivity/8081761>

Mounting-clip, M8

<https://www.escha.net/en/products/standard/accessories-for-connectivity/8047658>

Link to product

<https://www.escha.net/en/products/standard/connectors-for-bus-and-rail/8093716>