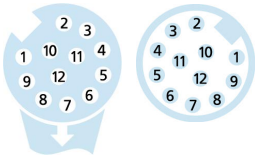
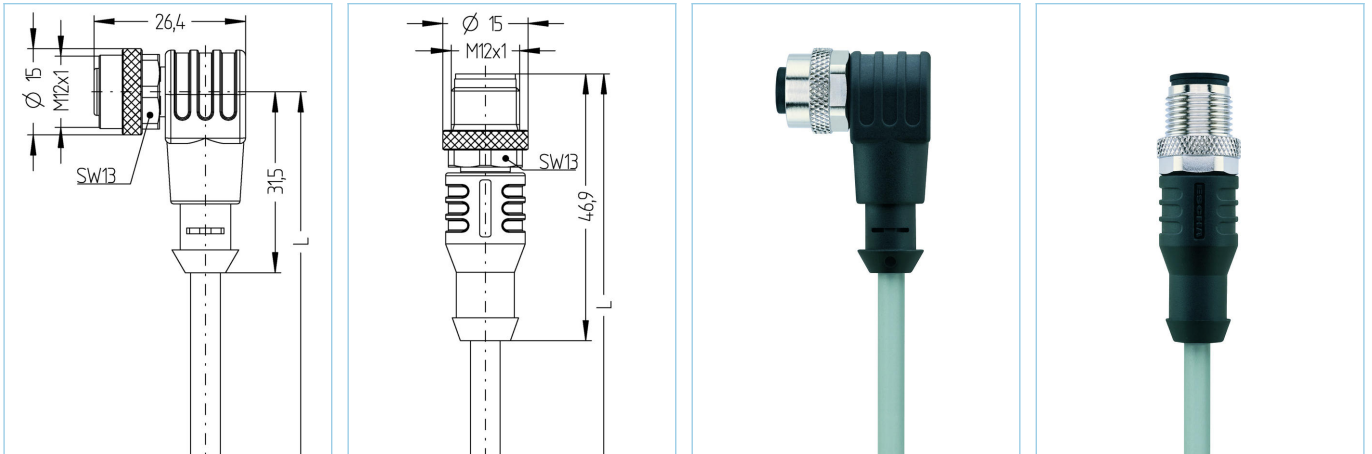


M12, female, angled, 12 poles, M12, male, straight, 12 poles, sensor-/actuator cable



| Product data                   |   |   |
|--------------------------------|---|---|
| Item description               | AL-WWAK12-5-AL-WAS12/S370GY   |   |
| Item-No.                       | 8092378   |   |
| Length                         | 5m  |   |
| Customs tariff-No.             | 85444290  |   |
| Step-File                      | AL-WWAK12-m-AL-WAS12.stp  |   |
| EAN                            | 4047106261665   |   |
| Technical data                 | A-side  | B-side  |
| Connector                      | female, angled, M12   | male, straight, M12   |
| Number of pins                 | 12  | 12  |
| Pin assignment                 | 1 BN, 2 BU, 3 WH, 4 GN, 5 PK, 6 YE, 7 BK, 8 GY, 9 RD, 10 VT, 11 GYPK, 12 RDBU | 1 BN, 2 BU, 3 WH, 4 GN, 5 PK, 6 YE, 7 BK, 8 GY, 9 RD, 10 VT, 11 GYPK, 12 RDBU |
| Coding of                      | A   | A   |
| Rated voltage                  | 30V   | 30V   |
| Current load (at 40°C)         | 1.5A  | 1.5A  |
| Insulation resistance          | $\geq 10^9 \Omega$  | $\geq 10^9 \Omega$  |
| Resistance                     | $\leq 5m\Omega$   | $\leq 5m\Omega$   |
| Ambient temperature product    | -30°C...+90°C   | -30°C...+90°C   |
| Contact material               | Metal, CuZn, gold-plated  | Metal, CuZn, gold-plated  |
| Contact-carrier material       | Plastic, TPU, BK  | Plastic, TPU, BK  |
| Grip body material             | Plastic, TPU, BK  | Plastic, TPU, BK  |
| Coupling nut material          | Metal, CuZn, nickel-plated  | Metal, CuZn, nickel-plated  |
| Sealing (female) material      | FPM/FKM   |   |
| Standards                      | IEC 61076-2-101   | IEC 61076-2-101   |
| Degree of protection (mounted) | IP65, IP67, IP68  | IP65, IP67, IP68  |
| Mechanical life-cycle          | >100 mating cycles  | >100 mating cycles  |
| Degree of pollution            | 3   | 3   |

|                  |                        |
|------------------|------------------------|
| <b>Cable web</b> | <b>PUR, UL, S370GY</b> |
|------------------|------------------------|

Flexible, silicone- and halogen-free control line with high mechanical strength. The cable is chemicals, hydrolysis-, and microbes- resistant. The drag-chain application is possible at a bending radius of minimum 10 x d. Due to its weld-field immunity, the cable is very well suited for the flexible application in robotics, machine-tool, and metal-cutting production. The cables meet the UL and CSA (UL10493/20549; cULus) requirements.

|                                |  |
|--------------------------------|--|
| Outer diameter of jacket       | 5.60 mm  |
| Cable-jacket material          | PUR  |
| Jacket color                   | GY, similar RAL7040  |
| Wire cross-section             | 12 x 0.14 mm <sup>2</sup>  |
| Wire insulation material       | PP   |
| Wire colors                    | BN, BU, WH, GN, PK, YE, BK, GY, RD, VT, GYPK, RDBU   |
| Wire structure                 | 18 x 0.10 mm   |
| Bending radius (fixed)         | 5 x Ø-cable  |
| Bending radius (repeated)      | 10 x Ø-cable   |
| Temperature range (repeated)   | -30°C...+90°C  |
| Temperature range (fixed)      | -40°C...+90°C  |
| Temperature range (drag chain) | -25°C...+60°C  |
| Drag chain-application         | ≥2 Mio. cycles   |
| Halogen-free                   | Yes  |
| Torsion                        | +/-180°/m, ≥ 0.5 Mio. cycles   |
| Rated voltage cable            | ≤300 V   |
| Special features               | flame retardant, halogen free, hydrolysis proof, LABS free, oil resistant, ozone resistant, recyclable, RoHs compliant, acid- and alkali resistant, drag chain-adapted, welding sparks resistant, seawater resistant, silicone free, torsion resistant, UV resistant |

### Classification

|            |          |
|------------|----------|
| eCl@ss 6.0 | 27279218 |
| eCl@ss 7.0 | 27279218 |
| eCl@ss 8.0 | 27279218 |
| eCl@ss 9.0 | 27060311 |
| ETIM 5.0   | EC001855 |
| ETIM 6.0   | EC001855 |

### Accessories

|  |
|--|
| Mounting-clip, M12<br><a href="https://www.escha.net/en/products/standard/accessories-for-connectivity/8047660">https://www.escha.net/en/products/standard/accessories-for-connectivity/8047660</a>  |
| Torque-wrench set<br><a href="https://www.escha.net/en/products/standard/accessories-for-connectivity/8055431">https://www.escha.net/en/products/standard/accessories-for-connectivity/8055431</a>   |
| Marking rings Ø 9mm<br><a href="https://www.escha.net/en/products/standard/accessories-for-connectivity?p=1&amp;o=3&amp;n=15&amp;f=809">https://www.escha.net/en/products/standard/accessories-for-connectivity?p=1&amp;o=3&amp;n=15&amp;f=809</a> |
| Screw plug, M12<br><a href="https://www.escha.net/en/products/standard/accessories-for-connectivity?p=1&amp;o=3&amp;n=15&amp;f=812">https://www.escha.net/en/products/standard/accessories-for-connectivity?p=1&amp;o=3&amp;n=15&amp;f=812</a>     |
| Screw cap, M12<br><a href="https://www.escha.net/en/products/standard/accessories-for-connectivity?p=1&amp;o=3&amp;n=15&amp;f=811">https://www.escha.net/en/products/standard/accessories-for-connectivity?p=1&amp;o=3&amp;n=15&amp;f=811</a>      |

### Link to product

|   |
|---|
| <a href="https://www.escha.net/en/products/standard/sensoractuator-connectors/8092378">https://www.escha.net/en/products/standard/sensoractuator-connectors/8092378</a> |
|---|