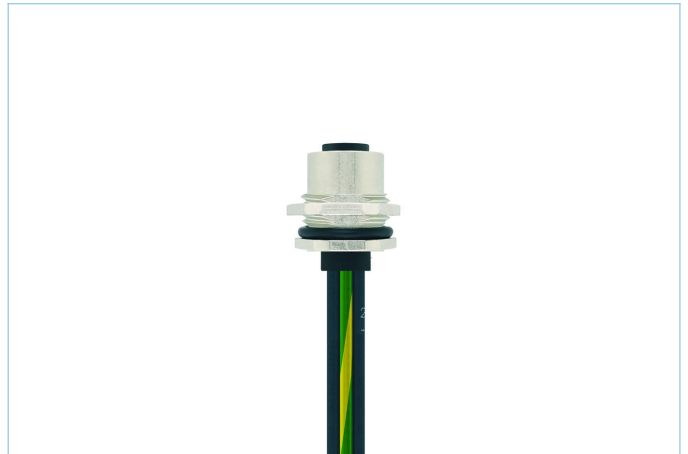
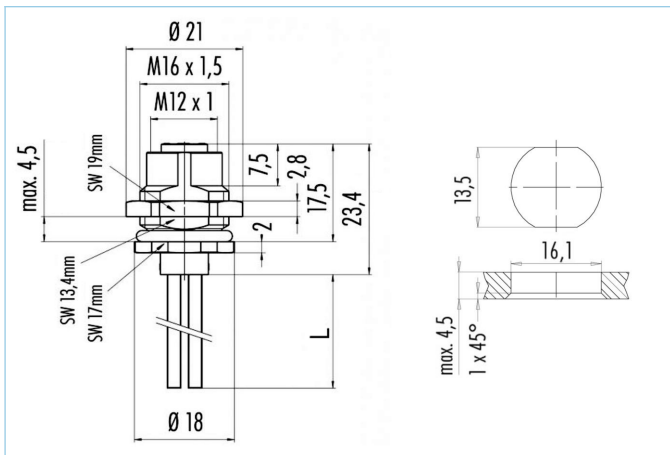


Receptacle, M12, female, straight, 3+PE, S-coded, back wall-mounting, wire contact, POWER



**Product data**

Item description	PS-FHM12K4.163-0,5
Item-No.	8091447
Customs tariff-No.	85444290
Step-File	PS-FHM12K4_163-m_stp
EAN	4047106258436

**Technical data**

Connector	female, straight, M12
Number of pins	3+PE
Pin assignment	1 BK, 2 BK, 3 BK, 4 GNYE
Coding	S
Rated voltage	630V <sub>AC</sub>   600V <sub>AC</sub> (UL)
Current load per pin (at 40°C)	12A
Resistance	≤ 3mΩ
Ambient temperature product	-30°C...+90°C
Contact material	Metal, CuZn, gold-plated
Contact-carrier material	Plastic, PA, BK
Receptacle housing material	Zinc die-cast, nickel-plated
Mounting direction	Back wall-mounting (incl. Fixing screw)
Wire length	0.50m
Wire cross-section	4 x 1.5 mm <sup>2</sup>
Wire insulation material	PVC
Fastening thread	M16x1.5
Connecting type	Wire contact
Standards	IEC 61076-2-111
Degree of protection (mounted)	IP65, IP67, IP68
Mechanical life-cycle	>100 mating cycles
Degree of pollution	3
Style	straight

**Classification**

eCl@ss 6.0	27279220
eCl@ss 7.0	27440103
eCl@ss 8.0	27440103
eCl@ss 9.0	27440103
ETIM 5.0	EC002061
ETIM 6.0	EC002061