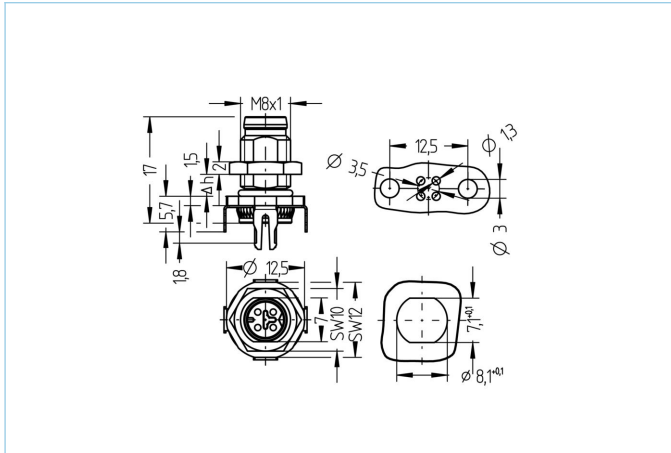


Receptacle, M8, male, straight, 4 poles, P-coded, back wall-mounting, print contact, shielded, Industrial Ethernet



**Product data**

Item description	IE-FHM8SSP4-P/M8
Item-No.	8089342
Customs tariff-No.	85366990
Packaging unit	10
Step-File	IE-FHM8SSP4_PM8_stp.stp
EAN	4047106257279

**Technical data**

Connector	male, straight, M8
Number of pins	4
Coding	P
Rated voltage	50V <sub>AC</sub>   60V <sub>DC</sub>
Current load per pin (at 40°C)	4A
Insulation resistance	≥10 <sup>9</sup> Ω
Transmission features	Cat5e
Ambient temperature product	-30°C...+90°C
Contact material	Metal, CuZn, gold-plated
Contact-carrier material	Plastic, PA GF, GN
Receptacle housing material	Metal, CuZn, nickel-plated
Material of external sealing	FPM/FKM
Mounting direction	Back wall-mounting (incl. Fixing screw)
Fastening thread	M8x1
Connecting type	Print contact
Standards	IEC 61076-2-114
Degree of protection (mounted)	IP65, IP67, IP68
Mechanical life-cycle	>100 mating cycles
Degree of pollution	3
Style	straight

#### Classification

eCl@ss 6.0	27279220
eCl@ss 7.0	27440103
eCl@ss 8.0	27440103
eCl@ss 9.0	27440103
ETIM 5.0	EC002061
ETIM 6.0	EC002061

#### Link to product

<https://www.escha.net/en/products/standard/receptacles/8089342>