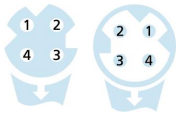
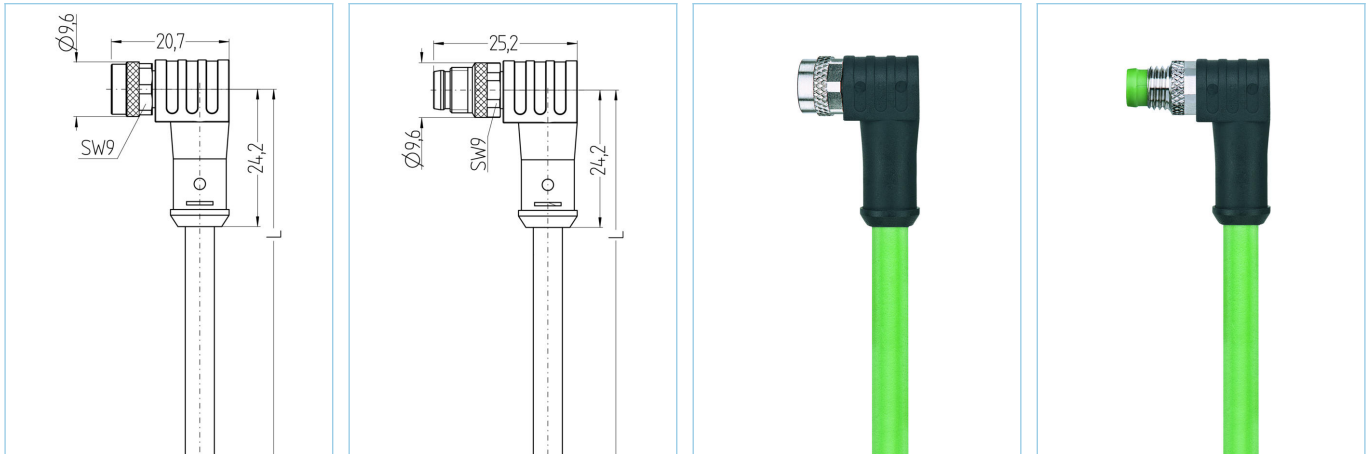


M8, female, angled, 4 poles, D-coded, M8, male, angled, 4 poles, D-coded, shielded, Industrial Ethernet



PROFI
NET



Product data

| | |
|--------------------|---------------------------------------|
| Item description | IE-SWKPSD4.071-5-IE-SWSPSD4.071/S3400 |
| Item-No. | 8089229 |
| Length | 5m |
| Customs tariff-No. | 85444290 |
| Step-File | IE-SWKPSD4-m-IE-SWSPSD4_S3400.stp |
| EAN | 4047106254650 |

Technical data

| | A-side | B-side |
|--------------------------------|---------------------------------------|---------------------------------------|
| Connector | female, angled, M8 | male, angled, M8 |
| Number of pins | 4 | 4 |
| Pin assignment | 1 WH/OG, 2 WH/BU, 3 OG, 4 BU | 1 WH/OG, 2 WH/BU, 3 OG, 4 BU |
| Coding of | D | D |
| Rated voltage | 50V _{AC} 60V _{DC} | 50V _{AC} 60V _{DC} |
| Current load (at 40°C) | 4A | 4A |
| Insulation resistance | ≥10 ⁹ Ω | ≥10 ⁹ Ω |
| Transmission features | Cat5e | Cat5e |
| Ambient temperature product | -30°C...+90°C | -30°C...+90°C |
| Contact material | Metal, CuSn, gold-plated | Metal, CuSn, gold-plated |
| Contact-carrier material | Plastic, TPU, GN | Plastic, TPU, GN |
| Grip body material | Plastic, TPU, BK | Plastic, TPU, BK |
| Coupling nut material | Metal, CuZn, nickel-plated | Metal, CuZn, nickel-plated |
| Sealing (female) material | FPM/FKM | |
| Shielding | with shielding | with shielding |
| Standards | IEC 61076-2-114 | IEC 61076-2-114 |
| Degree of protection (mounted) | IP65, IP67, IP68 | IP65, IP67, IP68 |
| Mechanical life-cycle | >100 mating cycles | >100 mating cycles |
| Degree of pollution | 3 | 3 |

Cable web Cat5e, PUR, UL, S3400

Shielded PUR Ethernet-cable for industrial applications. Fits to real-time requirements according to IEC61158. The cable meets the UL-Style 21815 (80°/300V)- and the Cat5 (electrical properties according to EN50288-2-2) requirements. Materials and a constructive setup for increased mechanical stresses (abrasion, bending, vibrations etc.) of the cable. Drag-chain/torsion operations are possible. High tensile strength through incorporated Kevlar-strands.

| | |
|------------------------------|---|
| Outer diameter of jacket | 4.80 mm |
| Cable-jacket material | PUR |
| Jacket color | GN, similar RAL6018 |
| Wire cross-section | 1 x 4 x AWG26, star quad |
| Wire insulation material | PP |
| Wire colors | WHBU/BU, WHOG/OG |
| Wire structure | 19 x 0.10 mm |
| Bending radius (fixed) | 4 x Ø-cable |
| Bending radius (repeated) | 7,5 x Ø-cable |
| Temperature range (repeated) | -30°C...+70°C |
| Temperature range (fixed) | -40°C...+80°C |
| Transmission features | Cat5 |
| Rated voltage cable | 300 V UL rating |
| Special features | halogen free, high flexibility, hydrolysis proof, LABS free, microbes resistant, oil resistant, ozone resistant, recyclable, RoHs compliant, acid- and alkali resistant, drag chain-adapted, seawater resistant, UV resistant |

Classification

| | |
|------------|----------|
| eCl@ss 6.0 | 27060307 |
| eCl@ss 7.0 | 27060307 |
| eCl@ss 8.0 | 27060307 |
| eCl@ss 9.0 | 27060307 |
| ETIM 5.0 | EC000830 |
| ETIM 6.0 | EC000830 |

Accessories

Mounting-clip, M8

<https://www.escha.net/en/products/standard/accessories-for-connectivity/8047658>

Torque-wrench set

<https://www.escha.net/en/products/standard/accessories-for-connectivity/8055431>

Marking rings Ø 9mm

<https://www.escha.net/en/products/standard/accessories-for-connectivity?p=1&o=3&n=15&f=809>

Screw plug, M8

<https://www.escha.net/en/products/standard/accessories-for-connectivity/8081771>

Screw cap, M8

<https://www.escha.net/en/products/standard/accessories-for-connectivity/8081761>

Link to product

<https://www.escha.net/en/products/standard/data-connectors/8089229>