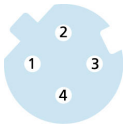
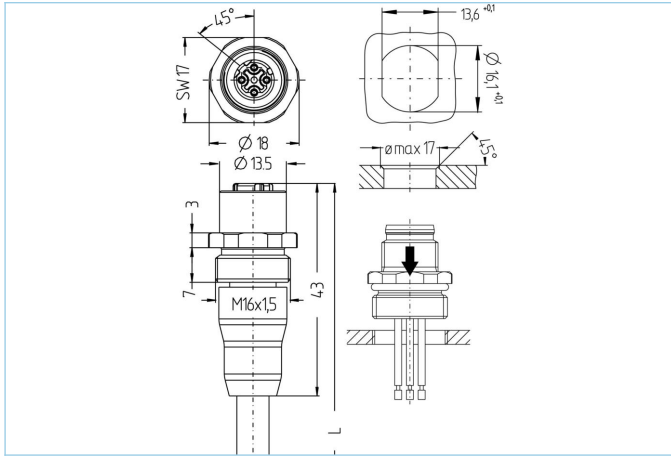


Receptacle Single-ended cordset, M12, female, straight, 4 poles, D-coded, front wall-mounting, shielded, Industrial Ethernet



Product data

| | |
|--------------------|-------------------------------|
| Item description | IE-FKSY4.029-5/16/S5100/S3941 |
| Item-No. | 8088985 |
| Length | 5m |
| Customs tariff-No. | 85444290 |
| Step-File | IE-FKSY4_029-m_16.stp |
| EAN | 4047106253769 |

Technical data

| | |
|--------------------------------|--|
| Connector | female, straight, M12 |
| Number of pins | 4 |
| Pin assignment | 1 YE, 2 WH, 3 OG, 4 BU |
| Coding | D |
| Rated voltage | 60V |
| Current load per pin (at 40°C) | 4A |
| Insulation resistance | ≥10 ⁹ Ω |
| Transmission features | Cat5e |
| Ambient temperature product | -30°C...+70°C |
| Contact material | Metal, CuZn, gold-plated |
| Contact-carrier material | Plastic, PA, GN |
| Grip body material | Plastic, hot melt, transparent |
| Receptacle housing material | Metal, CuZn, nickel-plated |
| Sealing (female) material | FPM/FKM |
| Material of external sealing | NBR |
| Shielding | with shielding |
| Mounting direction | Front wall-mounting (without fixing screw) |
| Adjustable fixing screw | No |
| Fastening thread | M16x1.5 |

| | |
|--------------------------------|--------------------|
| Connecting type | Cable |
| Standards | IEC 61076-2-101 |
| Degree of protection (mounted) | IP65, IP67, IP68 |
| Mechanical life-cycle | >100 mating cycles |
| Degree of pollution | 3 |
| Style | straight |

| | |
|------------------|---|
| Cable web | Cat5e, PUR, UL, S5100, PROFINET Type R |
|------------------|---|

Shielded, PUR-cable for industrial applications. The cable is UL-verified or meets the Cat5e (electrical properties of EN 50288-2-1) requirements. Materials and a constructive setup allow for increased mechanical stresses (abrasion, bending, vibrations etc.) of the cable. This cable is especially suitable for robotic applications.

| | |
|------------------------------|--|
| Outer diameter of jacket | 6.50 mm |
| Cable-jacket material | PUR |
| Jacket color | GN, similar RAL6018 |
| Wire cross-section | 1 x 4 x AWG22, star quad |
| Wire insulation material | PE |
| Wire colors | YE/OG ; WH/BU |
| Wire structure | 19 x 0.15 mm |
| Bending radius (fixed) | 5 x Ø-cable |
| Bending radius (repeated) | 10 x Ø-cable |
| Temperature range (repeated) | -20°C...+80°C |
| Temperature range (fixed) | -40°C...+80°C |
| Drag chain-application | 5 Mio. bending cycles; bending radius 75 mm; maximum acceleration 20 m/s ² ; maximum horizontal speed 300 m/min; maximum length horizontal of cable 5 m |
| Halogen-free | Yes |
| Torsion | >5 Mio. cycles; ±180°/m |
| Transmission features | Cat5e |
| Rated voltage cable | 600 V UL rating |
| Special features | flame retardant, halogen free, high flexibility, hydrolysis proof, LABS free, microbes resistant, oil resistant, ozone resistant, PROFINET Type R, recyclable, RoHs compliant, acid- and alkali resistant, drag chain-adapted, seawater resistant, torsion resistant, UV resistant |

| | |
|-----------------------|--|
| Classification | |
|-----------------------|--|

| | |
|------------|----------|
| eCl@ss 6.0 | 27279220 |
| eCl@ss 7.0 | 27440103 |
| eCl@ss 8.0 | 27440103 |
| eCl@ss 9.0 | 27440103 |
| ETIM 5.0 | EC002061 |
| ETIM 6.0 | EC002061 |

| |
|------------------------|
| Link to product |
|------------------------|

<https://www.escha.net/en/products/standard/receptacles/8088985>