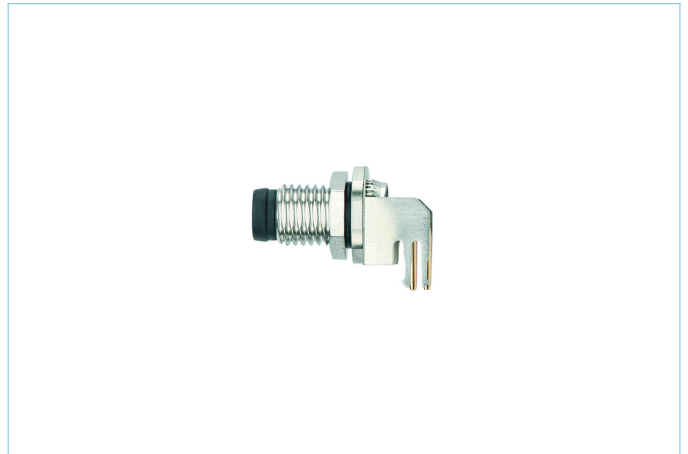
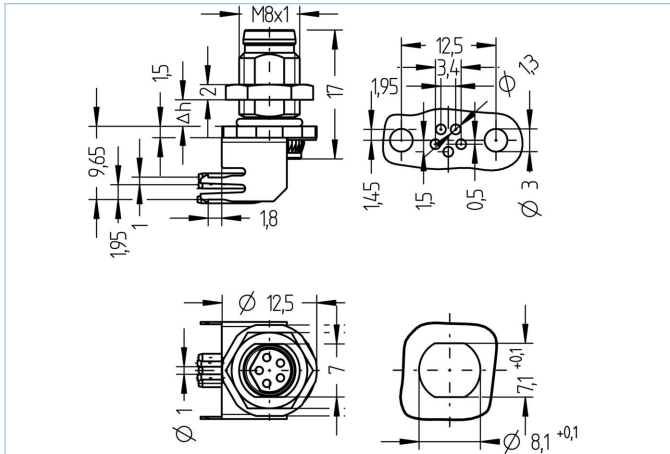


Receptacle, M8, male, angled, 5 poles, B-coded, back wall-mounting, print contact, shielded



Product data

| | |
|--------------------|-------------------------|
| Item description | AL-WFHM8SSB4.5-P/M8 |
| Item-No. | 8088517 |
| Customs tariff-No. | 85366990 |
| Packaging unit | 10 |
| Step-File | AL-WFHM8SSB4_5-P_M8.stp |
| EAN | 4047106254902 |

Technical data

| | |
|--------------------------------|---|
| Connector | male, angled, M8 |
| Number of pins | 5 |
| Coding | B |
| Rated voltage | 30V |
| Current load per pin (at 40°C) | 3A |
| Ambient temperature product | -30°C...+90°C |
| Contact material | Metal, CuZn, gold-plated |
| Contact-carrier material | Plastic, TPU, BK |
| Receptacle housing material | Metal, CuZn, nickel-plated |
| Shielding | with shielding |
| Mounting direction | Back wall-mounting (incl. Fixing screw) |
| Adjustable fixing screw | Yes |
| Fastening thread | M8x1 |
| Connecting type | Print contact |
| Standards | IEC 61076-2-104 |
| Degree of protection (mounted) | IP65, IP67, IP68 |
| Mechanical life-cycle | >100 mating cycles |
| Degree of pollution | 3 |
| Style | angled |

Classification

| | |
|------------|----------|
| eCl@ss 6.0 | 27279220 |
| eCl@ss 7.0 | 27440103 |
| eCl@ss 8.0 | 27440103 |
| eCl@ss 9.0 | 27440103 |
| ETIM 5.0 | EC002061 |
| ETIM 6.0 | EC002061 |

Link to product

<https://www.escha.net/en/products/standard/receptacles/8088517>