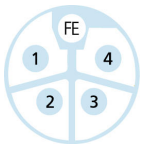
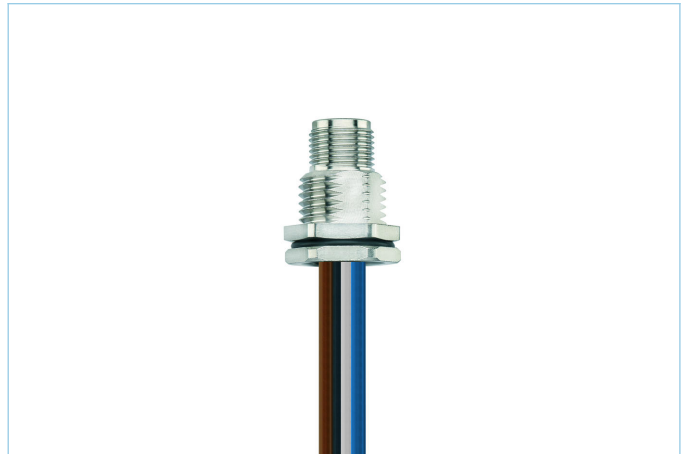
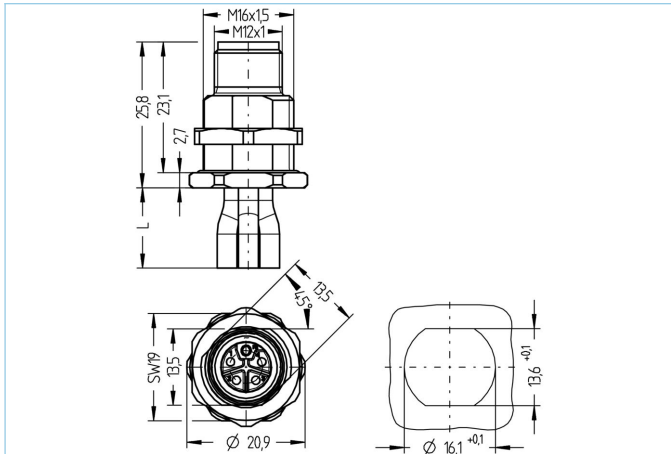


Receptacle, M12, male, straight, 4+FE, L-coded, back wall-mounting, wire contact, POWER



Product data

Item description	PL-FHM12SU5.269-0,2/M16/S5015
Item-No.	8087071
Customs tariff-No.	85444290
Packaging unit	5
Step-File	PL-FHM12SU5-m_M16_S5015.stp
EAN	4047106266080

Technical data

Connector	male, straight, M12
Number of pins	4+FE
Pin assignment	1 BN, 2 WH, 3 BU, 4 BK, FE GY
Coding	L
Rated voltage	63V _{DC}
Current load per pin (at 40°C)	16A
Resistance	≤ 3mΩ
Ambient temperature product	-30°C...+90°C
Contact material	Metal, CuZn, gold-plated
Contact-carrier material	Plastic, PA, GY
Receptacle housing material	Metal, CuZn, nickel-plated
Mounting direction	Back wall-mounting (incl. Fixing screw)
Wire length	0.20m
Wire colors	BN, WH, BU, BK, GY
Wire cross-section	5 x 1.5 mm ²
Wire insulation material	PVC
Fastening thread	M16x1.5

Connecting type	Wire contact
Standards	IEC 61076-2-111
Degree of protection (mounted)	IP65, IP67, IP68
Mechanical life-cycle	>100 mating cycles
Degree of pollution	3
Style	straight

Advanced technical data UL

Rated voltage	63V
Rated current	12A

Classification

eCl@ss 6.0	27279220
eCl@ss 7.0	27440103
eCl@ss 8.0	27440103
eCl@ss 9.0	27440103
ETIM 5.0	EC002061
ETIM 6.0	EC002061

Link to product

<https://www.escha.net/en/products/standard/power-connectors/8087071>