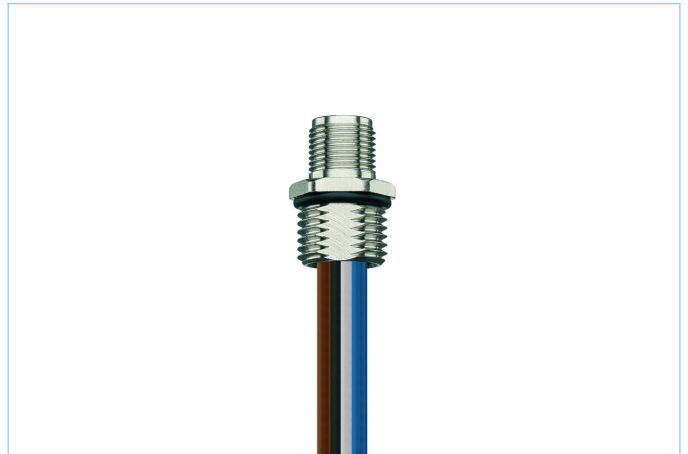
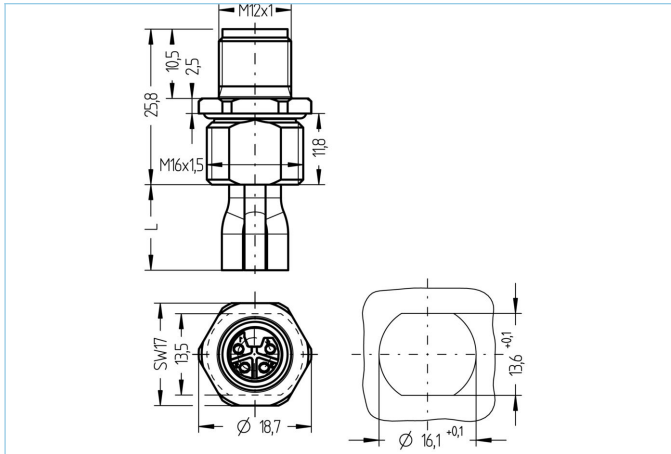


Receptacle, M12, male, straight, 4 poles, L-coded, front wall-mounting, wire contact, POWER



Product data

Item description	PL-FVM12SU4-0,2/M16/S5015
Item-No.	8087069
Customs tariff-No.	85444290
Packaging unit	5
Step-File	PL-FVM12SU4-m_M16.stp
EAN	4047106257125
Special	PNO compliant

Technical data

Connector	male, straight, M12
Number of pins	4
Coding	L
Rated voltage	63V _{DC}
Current load per pin (at 40°C)	16A
Resistance	≤ 3mΩ
Ambient temperature product	-30°C...+90°C
Contact material	Metal, CuZn, gold-plated
Contact-carrier material	Plastic, PA, BK
Receptacle housing material	Metal, CuZn, nickel-plated
Sealing (female) material	FPM/FKM
Mounting direction	Front wall-mounting (without fixing screw)
Wire length	0.20m
Wire colors	BN, WH, BU, BK
Wire cross-section	4 x 1.5 mm ²
Wire insulation material	PVC
Fastening thread	M16x1.5

Connecting type	Wire contact
Standards	IEC 61076-2-111
Degree of protection (mounted)	IP65, IP67, IP68
Mechanical life-cycle	>100 mating cycles
Degree of pollution	3
Style	straight

Advanced technical data UL

Rated voltage	63V
Rated current	12A

Classification

eCl@ss 6.0	27279220
eCl@ss 7.0	27440103
eCl@ss 8.0	27440103
eCl@ss 9.0	27440103
ETIM 5.0	EC002061
ETIM 6.0	EC002061

Link to product

<https://www.escha.net/en/products/standard/power-connectors/8087069>