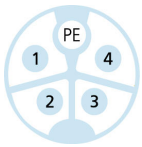
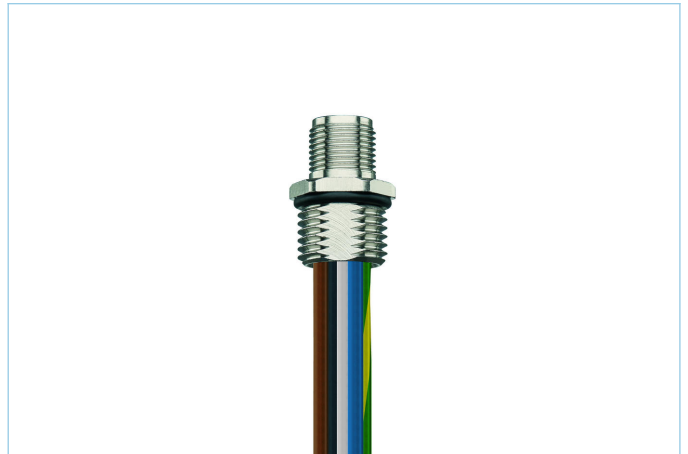
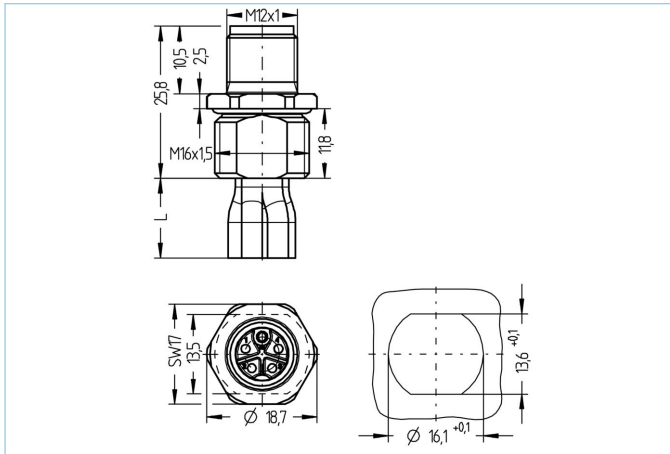


Receptacle, M12, male, straight, 4+PE, K-coded, front wall-mounting, wire contact, POWER



**Product data**

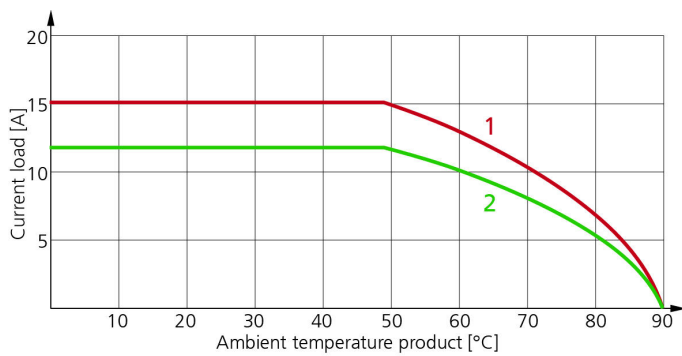
Item description	PK-FVM12SU5.244-0,2/M16/S5015
Item-No.	8087064
Customs tariff-No.	85444290
Packaging unit	5
Step-File	PK-FVM12SU5-m_M16.stp
EAN	4047106257224

**Technical data**

Connector	male, straight, M12
Number of pins	4+PE
Coding	K
Rated voltage	630V <sub>AC</sub>   600V <sub>AC</sub> (UL)
Current load per pin (at 40°C)	12A
Resistance	≤ 3mΩ
Ambient temperature product	-30°C...+90°C
Contact material	Metal, CuZn, gold-plated
Contact-carrier material	Plastic, PA, BK
Receptacle housing material	Metal, CuZn, nickel-plated
Sealing (female) material	FPM/FKM
Mounting direction	Front wall-mounting (without fixing screw)
Wire length	0.20m
Wire colors	BU, GY, BN, BK, GNYE
Wire cross-section	5 x 1.5 mm <sup>2</sup>
Wire insulation material	PVC
Fastening thread	M16x1.5

Connecting type	Wire contact
Standards	IEC 61076-2-111
Degree of protection (mounted)	IP65, IP67, IP68
Mechanical life-cycle	>100 mating cycles
Degree of pollution	3
Style	straight

#### Derating curve according to DIN 60512-5-2



- 1: Base curve
- 2: Derived curve according to DIN 60512-5-2 with correction factor 0,8

#### Classification

eCl@ss 6.0	27279220
eCl@ss 7.0	27440103
eCl@ss 8.0	27440103
eCl@ss 9.0	27440103
ETIM 5.0	EC002061
ETIM 6.0	EC002061

#### Link to product

<https://www.escha.net/en/products/standard/power-connectors/8087064>