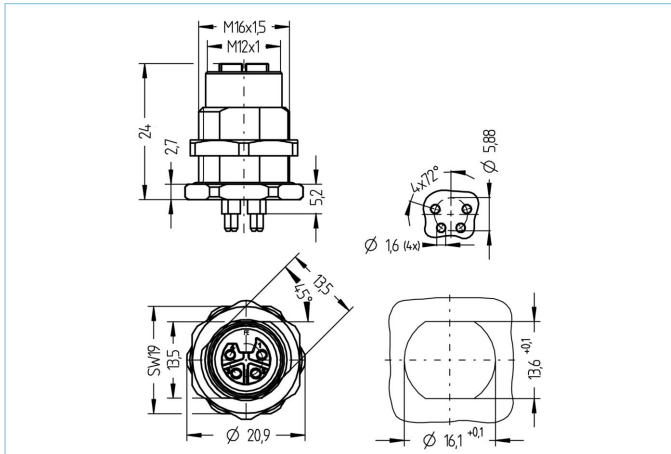


Receptacle, M12, female, straight, 4 poles, L-coded, back wall-mounting, print contact, POWER

Product data

| | |
|--------------------|-----------------------|
| Item description | PL-FHM12KU4-P/M16 |
| Item-No. | 8086636 |
| Customs tariff-No. | 85444290 |
| Packaging unit | 10 |
| Step-File | PL-FHM12KU4-P_M16.stp |
| EAN | 4047106253226 |
| Special | PNO compliant |

Technical data

| | |
|--------------------------------|---|
| Connector | female, straight, M12 |
| Number of pins | 4 |
| Coding | L |
| Rated voltage | 63V _{DC} |
| Current load per pin (at 40°C) | 16A |
| Resistance | ≤ 3mΩ |
| Ambient temperature product | -30°C...+90°C |
| Contact material | Metal, CuZn, gold-plated |
| Contact-carrier material | Plastic, PA, BK |
| Receptacle housing material | Metal, CuZn, nickel-plated |
| Sealing (female) material | FPM/FKM |
| Mounting direction | Back wall-mounting (incl. Fixing screw) |
| Fastening thread | M16x1.5 |
| Connecting type | Print contact |
| Standards | IEC 61076-2-111 |
| Degree of protection (mounted) | IP65, IP67, IP68 |
| Mechanical life-cycle | >100 mating cycles |
| Degree of pollution | 3 |
| Style | straight |

Classification

| | |
|------------|----------|
| eCl@ss 6.0 | 27279220 |
| eCl@ss 7.0 | 27440103 |
| eCl@ss 8.0 | 27440103 |
| eCl@ss 9.0 | 27440103 |
| ETIM 5.0 | EC002061 |
| ETIM 6.0 | EC002061 |

Link to product

<https://www.escha.net/en/products/standard/power-connectors/8086636>