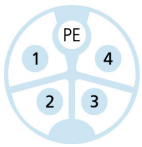
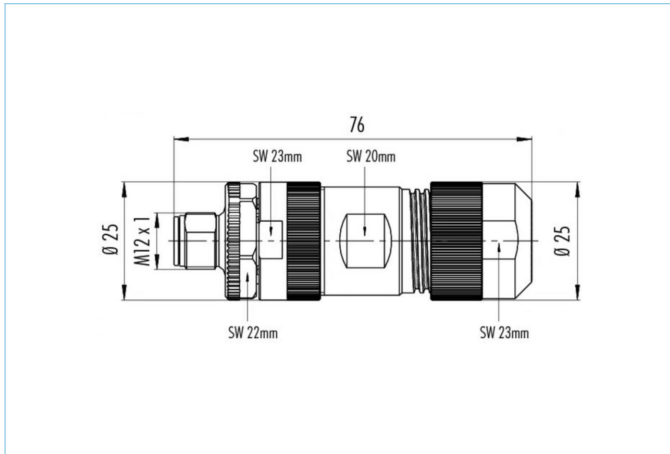


Field-wireable, M12, male, straight, 4+PE, K-coded, screw-/clamp contact, 630V 12A



Product data

Item description	PK-WASC5K
Item-No.	8086297
Customs tariff-No.	85366990
Step-File	PK-WASC5K.stp
EAN	4047106246143

Technical data

Connector	male, straight, M12
Number of pins	4+PE
Coding	K
Rated voltage	630V _{AC}
Current load per pin (at 40°C)	12A
Insulation resistance	≥10 ¹⁰ Ω
Resistance	≤ 5mΩ
Ambient temperature product	-40°C...+85°C
Contact material	Metal, CuZn, gold-plated
Contact-carrier material	Plastic, PA, BK
Grip body material	Plastic, PA, BK
Connecting cross-section	max. 2,5 mm ²
Cable outlet	8...13 mm
Connecting type	Screw-/clamp contact
Standards	IEC 61076-2-101
Degree of protection (mounted)	IP67
Mechanical life-cycle	>100 mating cycles
Degree of pollution	3
Style	straight

Classification

eCl@ss 6.0	27260702
eCl@ss 7.0	27440102
eCl@ss 8.0	27440102
eCl@ss 9.0	27440102
ETIM 5.0	EC002635
ETIM 6.0	EC002635

Link to product

<https://www.escha.net/en/products/standard/field-wireable-connectors/8086297>