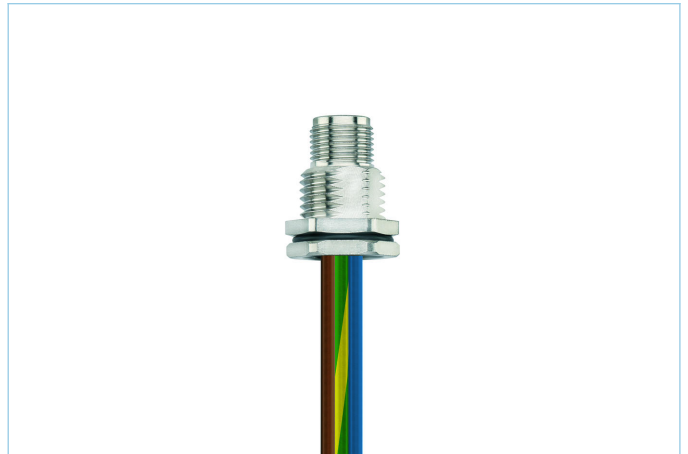
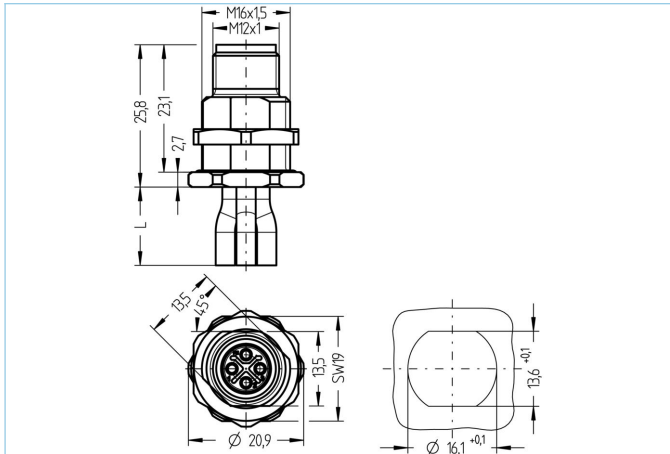


## Receptacle, M12, male, straight, 3+PE, S-coded, back wall-mounting, wire contact, POWER



### Product data

Item description	PS-FHM12SU4.155-0,2/M16/S5025
Item-No.	8086185
Customs tariff-No.	85444290
Packaging unit	5
Step-File	PS-FHM12SU4-m_M16.stp
EAN	4047106256944

### Technical data

Connector	male, straight, M12
Number of pins	3+PE
Coding	S
Rated voltage	630V <sub>AC</sub>   600V <sub>AC</sub> (UL)
Current load per pin (at 40°C)	12A
Resistance	≤ 3mΩ
Ambient temperature product	-30°C...+90°C
Contact material	Metal, CuZn, gold-plated
Contact-carrier material	Plastic, PA, BK
Receptacle housing material	Metal, CuZn, nickel-plated
Mounting direction	Back wall-mounting (incl. Fixing screw)
Wire length	0.20m
Wire colors	BN, BK, GY, GNYE
Wire cross-section	4 x 2.5 mm <sup>2</sup>
Wire insulation material	PVC
Fastening thread	M16x1.5
Connecting type	Wire contact
Standards	IEC 61076-2-111
Degree of protection (mounted)	IP65, IP67, IP68
Mechanical life-cycle	>100 mating cycles
Degree of pollution	3
Style	straight

### Classification

eCl@ss 6.0	27279220
eCl@ss 7.0	27440103
eCl@ss 8.0	27440103
eCl@ss 9.0	27440103
ETIM 5.0	EC002061
ETIM 6.0	EC002061

### Link to product

<https://www.escha.net/en/products/standard/power-connectors/8086185>