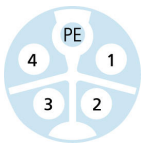
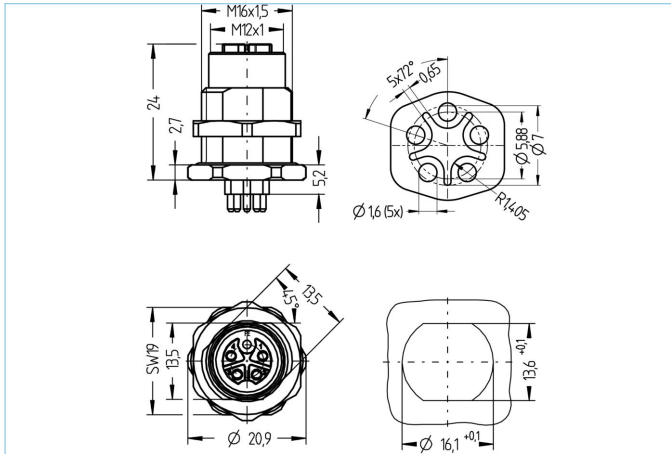


Receptacle, M12, female, straight, 4+PE, K-coded, back wall-mounting, print contact, POWER



Product data

Item description	PK-FHM12KU5-P/M16
Item-No.	8086171
Customs tariff-No.	85444290
Packaging unit	10
Step-File	PK-FHM12KU5-P_M16.stp
EAN	4047106257149

Technical data

Connector	female, straight, M12
Number of pins	4+PE
Coding	K
Rated voltage	630V <sub>AC</sub>   600V <sub>AC</sub> (UL)   Use only in potted condition *
Current load per pin (at 40°C)	12A
Resistance	≤ 3mΩ
Ambient temperature product	-30°C...+90°C
Contact material	Metal, CuZn, gold-plated
Contact-carrier material	Plastic, PA, BK
Receptacle housing material	Metal, CuZn, nickel-plated
Sealing (female) material	FPM/FKM
Mounting direction	Back wall-mounting (incl. Fixing screw)
Wire insulation material	PVC
Fastening thread	M16x1.5
Connecting type	Print contact
Standards	IEC 61076-2-111
Degree of protection (mounted)	IP65, IP67, IP68
Mechanical life-cycle	>100 mating cycles
Degree of pollution	3
Style	straight

### Classification

eCl@ss 6.0	27279220
eCl@ss 7.0	27440103
eCl@ss 8.0	27440103
eCl@ss 9.0	27440103
ETIM 5.0	EC002061
ETIM 6.0	EC002061

### \*Installation instruction

The assembly on the circuit board must be potted by the end customer so that the entire connection area of the receptacle is completely encapsulated. Items with an insulating cross can be used for applications without potting.

Item with an insulating cross:

<https://www.escha.net/en/products/standard/power-connectors/8102690>

### Link to product

<https://www.escha.net/en/products/standard/power-connectors/8086171>