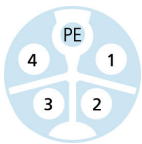
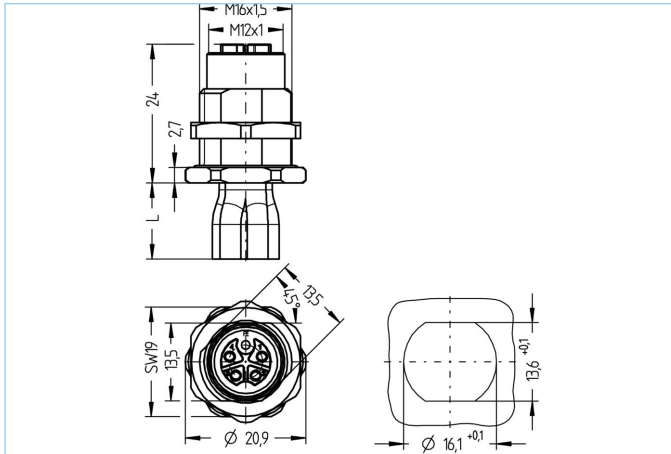


Receptacle, M12, female, straight, 4+PE, K-coded, back wall-mounting, wire contact, POWER



Product data

Item description	PK-FHM12KU5.244-0,2/M16/S5025
Item-No.	8086169
Customs tariff-No.	85444290
Packaging unit	5
Step-File	PK-FHM12KU5-m_M16.stp
EAN	4047106257170

Technical data

Connector	female, straight, M12
Number of pins	4+PE
Coding	K
Rated voltage	630V _{AC} 600V _{AC} (UL)
Current load per pin (at 40°C)	12A
Resistance	≤ 3mΩ
Ambient temperature product	-30°C...+90°C
Contact material	Metal, CuZn, gold-plated
Contact-carrier material	Plastic, PA, BK
Receptacle housing material	Metal, CuZn, nickel-plated
Sealing (female) material	FPM/FKM
Mounting direction	Back wall-mounting (incl. Fixing screw)
Wire length	0.20m
Wire colors	BU, GY, BN, BK, GNYE
Wire cross-section	5 x 2.5 mm ²
Wire insulation material	PVC
Fastening thread	M16x1.5

Connecting type	Wire contact
Standards	IEC 61076-2-111
Degree of protection (mounted)	IP65, IP67, IP68
Mechanical life-cycle	>100 mating cycles
Degree of pollution	3
Style	straight

Classification

eCl@ss 6.0	27279220
eCl@ss 7.0	27440103
eCl@ss 8.0	27440103
eCl@ss 9.0	27440103
ETIM 5.0	EC002061
ETIM 6.0	EC002061

Link to product

<https://www.escha.net/en/products/standard/power-connectors/8086169>