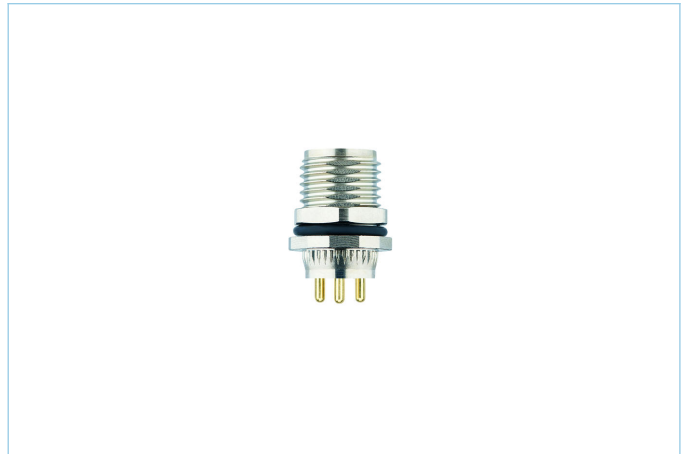
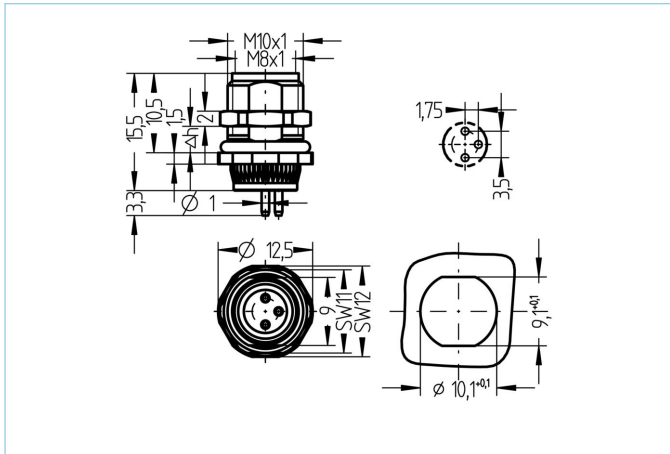


Receptacle, M8, female, straight, 3 poles, back wall-mounting, print contact, stainless steel



Product data	
Item description	AL-FHM8EKUA3-P/M10
Item-No.	8084388
Customs tariff-No.	85366990
Packaging unit	10
Step-File	AL-FHM8KUA3P_M10.stp
EAN	4047106252281
Technical data	
Connector	female, straight, M8
Number of pins	3
Coding	A
Rated voltage	60V
Current load per pin (at 40°C)	4A
Ambient temperature product	-30°C...+90°C
Reflow	2 min. 250 °C
Contact material	Metal, CuZn, gold-plated
Contact-carrier material	Plastic, TPU, BK
Receptacle housing material	Stainless steel 1.4404
Sealing (female) material	FPM/FKM
Mounting direction	Back wall-mounting (incl. Fixing screw)
Wall thickness area (Δh)	3,0...6,0 mm
Adjustable fixing screw	Yes
Fastening thread	M10x1
Connecting type	Print contact
Standards	IEC 61076-2-104
Degree of protection (mounted)	IP65, IP67, IP68
Mechanical life-cycle	>100 mating cycles
Degree of pollution	3
Style	straight

Classification

eCl@ss 6.0	27279220
eCl@ss 7.0	27440103
eCl@ss 8.0	27440103
eCl@ss 9.0	27440103
ETIM 5.0	EC002061
ETIM 6.0	EC002061

Link to product

<https://www.escha.net/en/products/standard/receptacles/8084388>