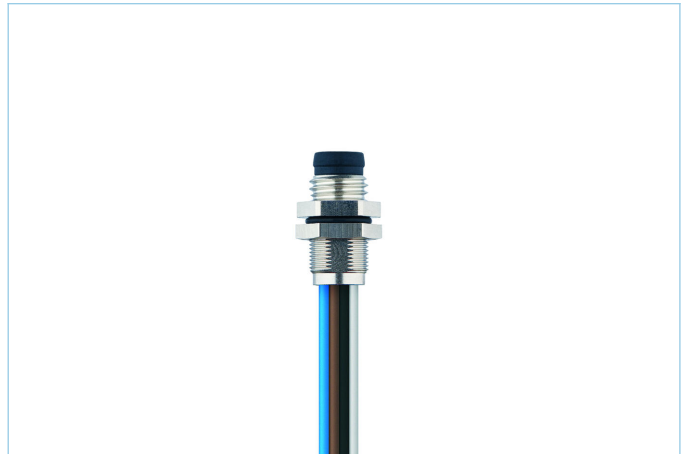
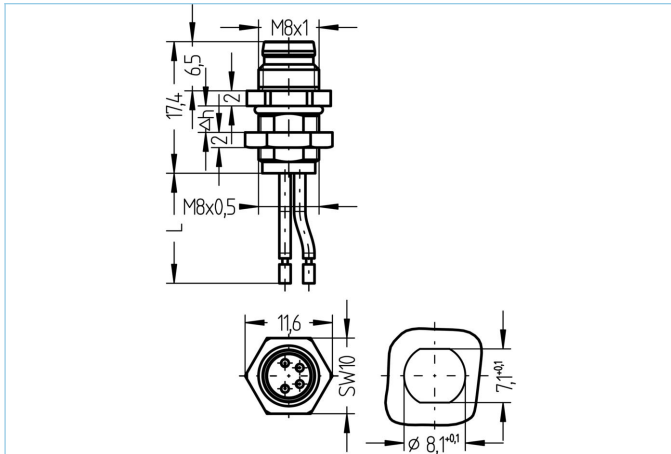


Receptacle, M8, male, straight, 4 poles, front wall-mounting, wire contact, stainless steel



Product data	
Item description	AL-FVM8ESUA4-0,2/M8
Item-No.	8084383
Customs tariff-No.	85444290
Packaging unit	5
Step-File	AL-FVM8SUA4-m_M8.stp
EAN	4047106240998
Technical data	
Connector	male, straight, M8
Number of pins	4
Pin assignment	1 BN, 2 WH, 3 BU, 4 BK
Coding	A
Rated voltage	50V _{AC} 60V _{DC}
Current load per pin (at 40°C)	4A
Ambient temperature product	-30°C...+90°C
Contact material	Metal, CuSn, gold-plated
Contact-carrier material	Plastic, TPU, BK
Receptacle housing material	Stainless steel 1.4404
Mounting direction	Front wall-mounting (incl. Fixing screw)
Wall thickness area (Δh)	2,0...5,0 mm
Wire length	0.20m
Wire colors	BN, WH, BU, BK
Wire cross-section	4 x 0.25 mm ²
Wire insulation material	PVC
Fastening thread	M8x0,5
Connecting type	Wire contact
Standards	IEC 61076-2-104
Degree of protection (mounted)	IP65, IP67, IP68
Mechanical life-cycle	>100 mating cycles
Degree of pollution	3
Style	straight

Classification

eCl@ss 6.0	27279220
eCl@ss 7.0	27440103
eCl@ss 8.0	27440103
eCl@ss 9.0	27440103
ETIM 5.0	EC002061
ETIM 6.0	EC002061

Link to product

<https://www.escha.net/en/products/standard/receptacles/8084383>