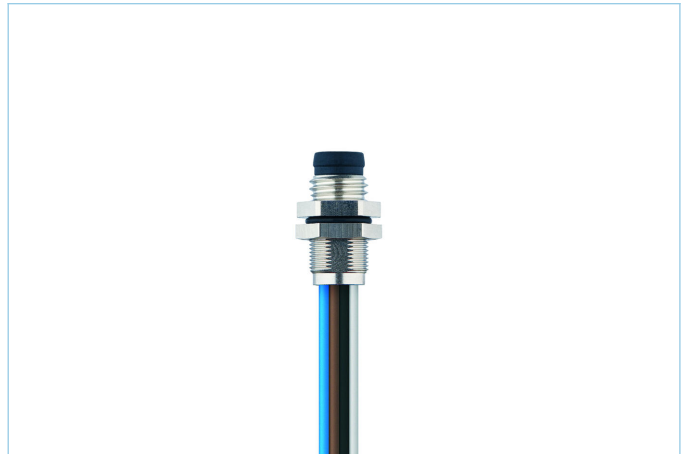
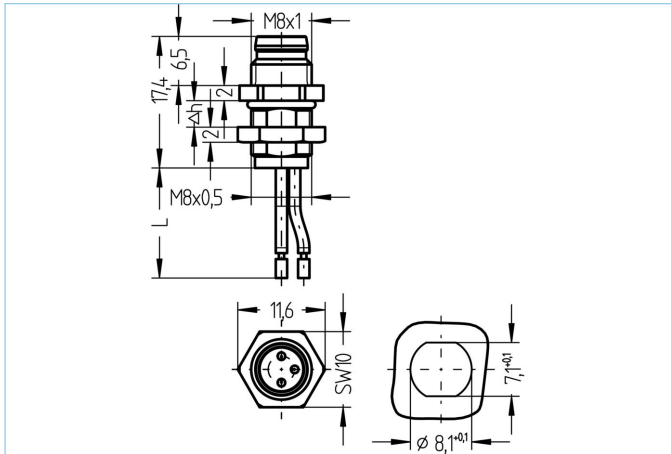


Receptacle, M8, male, straight, 3 poles, front wall-mounting, wire contact, stainless steel



Product data

| | |
|--------------------|----------------------|
| Item description | AL-FVM8ESUA3-0,2/M8 |
| Item-No. | 8084382 |
| Customs tariff-No. | 85444290 |
| Packaging unit | 5 |
| Step-File | AL-FVM8SUA3-m_M8.stp |
| EAN | 4047106240981 |

Technical data

| | |
|------------------------------------|--|
| Connector | male, straight, M8 |
| Number of pins | 3 |
| Pin assignment | 1 BN, 3 BU, 4 BK |
| Coding | A |
| Rated voltage | 60V |
| Current load per pin (at 40°C) | 4A |
| Ambient temperature product | -30°C...+90°C |
| Contact material | Metal, CuSn, gold-plated |
| Contact-carrier material | Plastic, TPU, BK |
| Receptacle housing material | Stainless steel 1.4404 |
| Mounting direction | Front wall-mounting (incl. Fixing screw) |
| Wall thickness area (Δh) | 2,0...5,0 mm |
| Wire length | 0.20m |
| Wire colors | BN, BU, BK |
| Wire cross-section | 3 x 0.25 mm ² |
| Wire insulation material | PVC |
| Fastening thread | M8x0,5 |
| Connecting type | Wire contact |
| Standards | IEC 61076-2-104 |
| Degree of protection (mounted) | IP65, IP67, IP68 |
| Mechanical life-cycle | >100 mating cycles |
| Degree of pollution | 3 |
| Style | straight |

Classification

| | |
|------------|----------|
| eCl@ss 6.0 | 27279220 |
| eCl@ss 7.0 | 27440103 |
| eCl@ss 8.0 | 27440103 |
| eCl@ss 9.0 | 27440103 |
| ETIM 5.0 | EC002061 |
| ETIM 6.0 | EC002061 |

Link to product

<https://www.escha.net/en/products/standard/receptacles/8084382>