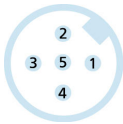
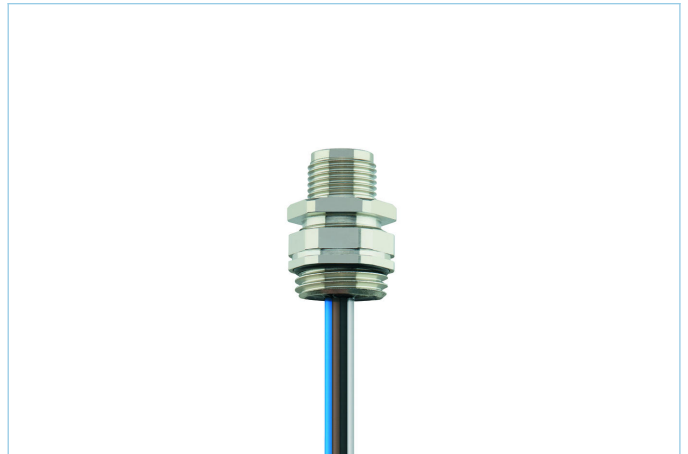
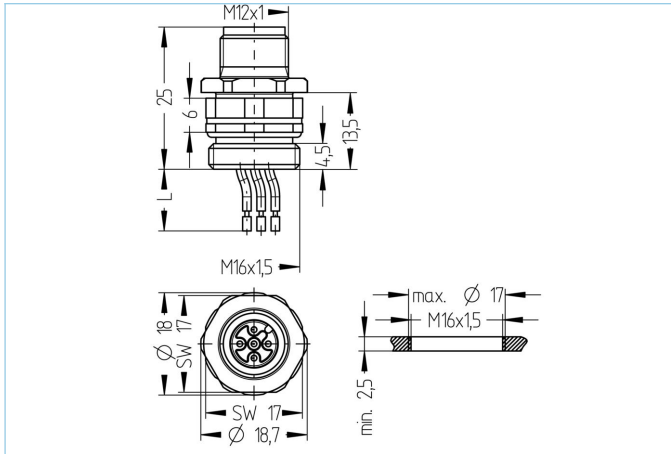


Receptacle, M12, male, straight, 4+PE, front wall-mounting, wire contact, stainless steel



**Product data**

Item description	AL-FVM12ESUA5-0,5/M16/S520
Item-No.	8083038
Customs tariff-No.	85444290
Packaging unit	5
Step-File	AL-FVM12SUA5-m_M16_S520.stp
EAN	4047106240660

**Technical data**

Connector	male, straight, M12
Number of pins	4+PE
Pin assignment	1 BN, 2 WH, 3 BU, 4 BK, 5 GNYE
Coding	A
Rated voltage	60V
Current load per pin (at 40°C)	4A
Insulation resistance	≥10 <sup>9</sup> Ω
Ambient temperature product	-30°C...+90°C
Contact material	Metal, CuSn, gold-plated
Contact-carrier material	Plastic, PA GF, BK
Receptacle housing material	Stainless steel 1.4404
Material of external sealing	NBR
Mounting direction	Front wall-mounting, positionable
Wrench size of fastening nut	A/F19
Wire length	0.50m
Wire colors	BN, WH, BU, BK, GNYE
Wire cross-section	5 x 0.34 mm <sup>2</sup>
Wire insulation material	PVC
Fastening thread	M16x1.5

Connecting type	Wire contact
Standards	IEC 61076-2-101
Degree of protection (mounted)	IP65, IP67, IP68
Mechanical life-cycle	>100 mating cycles
Degree of pollution	3
Style	straight

#### Classification

eCl@ss 6.0	27279220
eCl@ss 7.0	27440103
eCl@ss 8.0	27440103
eCl@ss 9.0	27440103
ETIM 5.0	EC002061
ETIM 6.0	EC002061

#### Link to product

<https://www.escha.net/en/products/standard/receptacles/8083038>