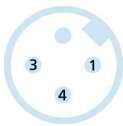
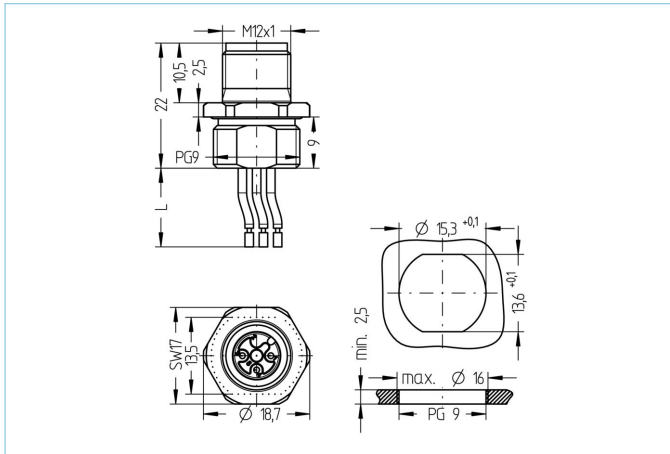


Receptacle, M12, male, straight, 3 poles, front wall-mounting, wire contact, stainless steel, shielded



Product data

Item description	AL-FVM12ESUA3-0,5/PG9
Item-No.	8083002
Customs tariff-No.	85444290
Packaging unit	5
Step-File	AL-FVM12ESUA3-m_PG9.stp
EAN	4047106240486

Technical data

Connector	male, straight, M12
Number of pins	3
Pin assignment	1 BN, 3 BU, 4 BK
Coding	A
Rated voltage	250V
Current load per pin (at 40°C)	4A
Insulation resistance	≥10 ⁹ Ω
Ambient temperature product	-30°C...+90°C
Contact material	Metal, CuSn, gold-plated
Contact-carrier material	Plastic, PA GF, BK
Receptacle housing material	Stainless steel 1.4404
Material of external sealing	NBR
Mounting direction	Front wall-mounting (without fixing screw)
Wire length	0.50m
Wire colors	BN, BU, BK
Wire cross-section	3 x 0.34 mm ²
Wire insulation material	PVC
Fastening thread	PG9

Connecting type	Wire contact
Standards	IEC 61076-2-101
Degree of protection (mounted)	IP65, IP67, IP68
Mechanical life-cycle	>100 mating cycles
Degree of pollution	3
Style	straight

Classification

eCl@ss 6.0	27279220
eCl@ss 7.0	27440103
eCl@ss 8.0	27440103
eCl@ss 9.0	27440103
ETIM 5.0	EC002061
ETIM 6.0	EC002061

Link to product

<https://www.escha.net/en/products/standard/receptacles/8083002>