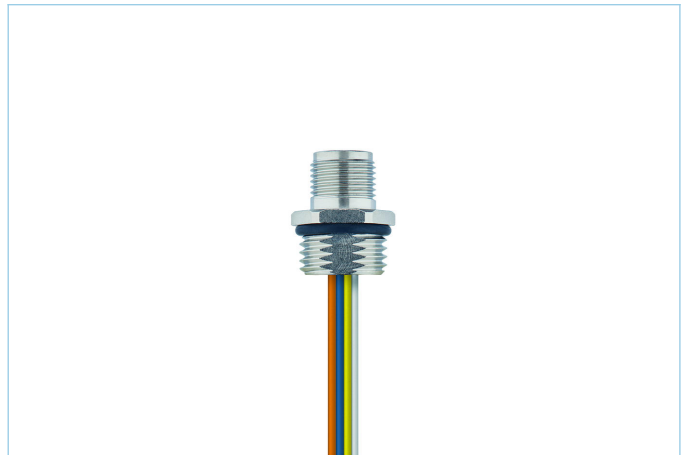
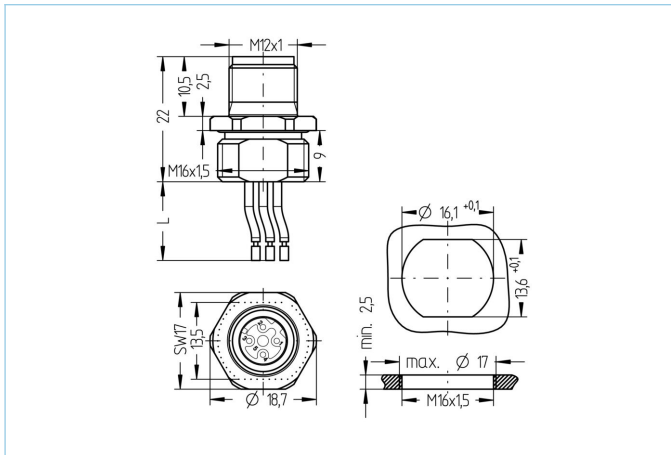


Receptacle, M12, male, straight, 4 poles, D-coded, front wall-mounting, wire contact, stainless steel, Industrial Ethernet



Product data	
Item description	IE-FVM12ESUD4.029-0,5/M16
Item-No.	8082994
Customs tariff-No.	85444290
Packaging unit	5
Step-File	IE-FVM12SUD4-m_M16.stp
EAN	4047106240745
Technical data	
Connector	male, straight, M12
Number of pins	4
Pin assignment	1 YE, 2 WH, 3 OG, 4 BU
Coding	D
Rated voltage	250V
Current load per pin (at 40°C)	4A
Insulation resistance	≥10 ⁹ Ω
Ambient temperature product	-40°C...+90°C
Contact material	Metal, CuZn, gold-plated
Contact-carrier material	Plastic, PA GF, GN
Receptacle housing material	Stainless steel 1.4404
Mounting direction	Front wall-mounting (without fixing screw)
Wire length	0.50m
Wire colors	YE/OG ; WH/BU
Wire cross-section	4 x 0.34 mm ²
Wire insulation material	PVC
Fastening thread	M16x1.5
Connecting type	Wire contact
Degree of protection (mounted)	IP65, IP67, IP68
Mechanical life-cycle	>100 mating cycles
Degree of pollution	3
Style	straight

Classification	
eCl@ss 6.0	27279220
eCl@ss 7.0	27440103
eCl@ss 8.0	27440103
eCl@ss 9.0	27440103
ETIM 5.0	EC002061
ETIM 6.0	EC002061