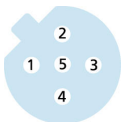
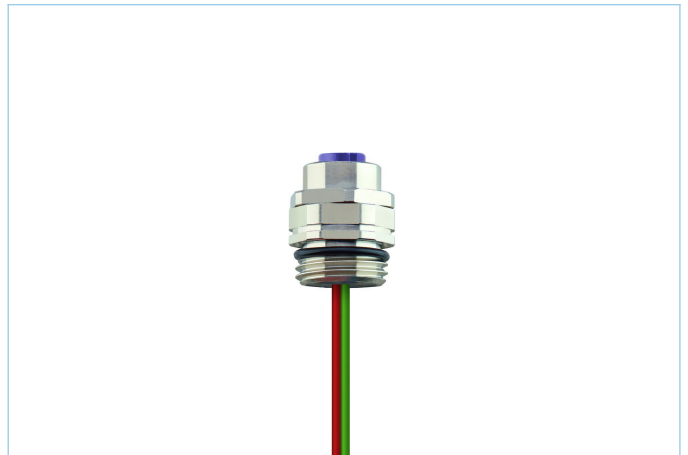
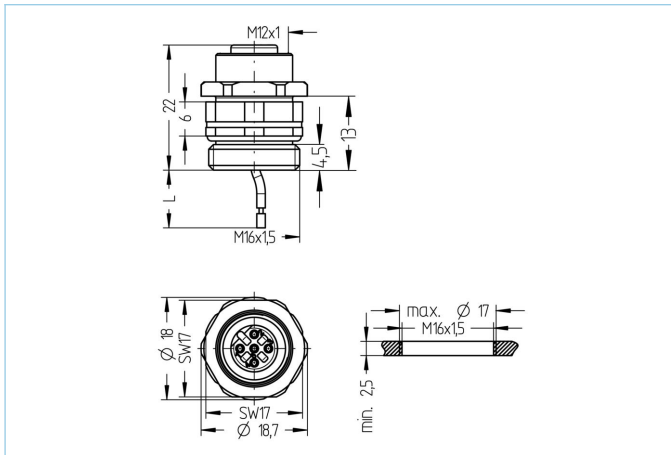


Receptacle, M12, female, straight, 5 poles, B-coded, front wall-mounting, wire contact, stainless steel, Profibus



Product data

Item description	PB-FVM12EKUB2.012-0,5/M16/S520
Item-No.	8082917
Customs tariff-No.	85444290
Step-File	PB-FVM12KUB2.012-m_M16_S520.stp
EAN	4047106240875

Technical data

Connector	female, straight, M12
Number of pins	5
Pin assignment	1 n.c., 2 GN, 3 n.c., 4 RD, 5 n.c.
Coding	B
Rated voltage	60V
Current load per pin (at 40°C)	4A
Insulation resistance	≥10 ⁹ Ω
Ambient temperature product	-30°C...+90°C
Contact material	Metal, CuSn, gold-plated
Contact-carrier material	Plastic, PA GF, VT
Receptacle housing material	Stainless steel 1.4404
Sealing (female) material	FPM/FKM
Mounting direction	Front wall-mounting, positionable
Wrench size of fastening nut	A/F17
Wire length	0.50m
Wire colors	RD, GN
Wire cross-section	2 x 0.34 mm ²
Wire insulation material	PVC
Fastening thread	M16x1.5

Connecting type	Wire contact
Standards	IEC 61076-2-101
Degree of protection (mounted)	IP65, IP67, IP68
Mechanical life-cycle	>100 mating cycles
Degree of pollution	3
Style	straight
Classification	
eCl@ss 6.0	27279220
eCl@ss 7.0	27440103
eCl@ss 8.0	27440103
eCl@ss 9.0	27440103
ETIM 5.0	EC002061
ETIM 6.0	EC002061