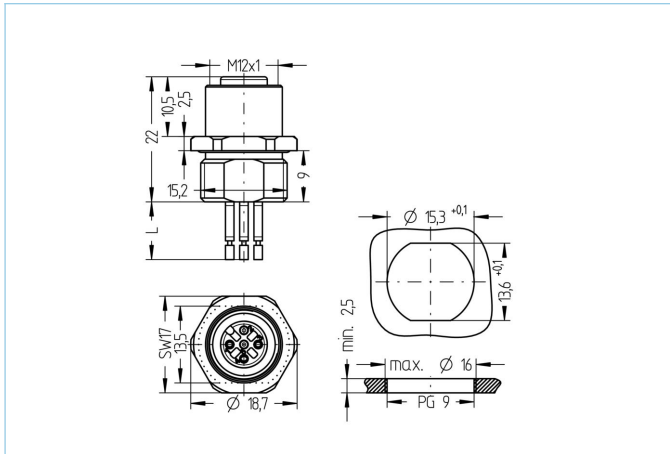


Receptacle, M12, female, straight, 4+PE, front wall-mounting, wire contact, stainless steel



Product data	
Item description	AL-FVM12EKUA5-0,5/PG9
Item-No.	8082899
Customs tariff-No.	85444290
Packaging unit	5
Step-File	AL-FVM12EKUA5-m_PG9.stp
EAN	4047106240455
Technical data	
Connector	female, straight, M12
Number of pins	4+PE
Pin assignment	1 BN, 2 WH, 3 BU, 4 BK, 5 GNYE
Coding	A
Rated voltage	60V
Current load per pin (at 40°C)	4A
Insulation resistance	≥10 <sup>9</sup> Ω
Ambient temperature product	-30°C...+90°C
Contact material	Metal, CuSn, gold-plated
Contact-carrier material	Plastic, PA GF, BK
Receptacle housing material	Stainless steel 1.4404
Sealing (female) material	FPM/FKM
Material of external sealing	NBR
Mounting direction	Front wall-mounting (without fixing screw)
Wire length	0.50m
Wire colors	BN, WH, BU, BK, GNYE
Wire cross-section	5 x 0.34 mm <sup>2</sup>
Wire insulation material	PVC
Fastening thread	PG9

Connecting type	Wire contact
Standards	IEC 61076-2-101
Degree of protection (mounted)	IP65, IP67, IP68
Mechanical life-cycle	>100 mating cycles
Degree of pollution	3
Style	straight

#### Classification

eCl@ss 6.0	27279220
eCl@ss 7.0	27440103
eCl@ss 8.0	27440103
eCl@ss 9.0	27440103
ETIM 5.0	EC002061
ETIM 6.0	EC002061

#### Link to product

<https://www.escha.net/en/products/standard/receptacles/8082899>