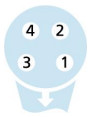
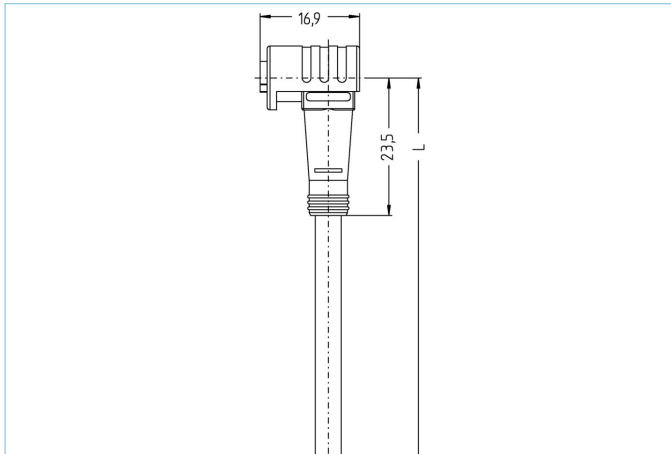


Ø8mm snap, female, angled, 4 poles, with locking mechanism, sensor-/actuator cable



**Product data**

Item description	AL-ZWKP4-2/P01BK
Item-No.	8082056
Length	2m
Customs tariff-No.	85444290
Step-File	AL-ZWKP4.stp
EAN	4047106234874

**Technical data**

Connector	female, angled, Ø8mm snap, with locking mechanism
Number of pins	4
Pin assignment	1 BN, 2 WH, 3 BU, 4 BK
Rated voltage	60V
Current load per pin (at 40°C)	4A
Insulation resistance	≥10 <sup>9</sup> Ω
Resistance	≤ 5mΩ
Ambient temperature product	-30°C...+90°C
Contact material	Metal, CuSn, gold-plated
Contact-carrier material	Plastic, TPU, BK
Grip body material	Plastic, TPU, BK
Sealing (female) material	FPM/FKM
Standards	IEC 61076-2-104
Degree of protection (mounted)	IP65, IP67, IP68
Mechanical life-cycle	>100 mating cycles
Cable end assembly	open cable end
Degree of pollution	3/2
Style	angled

<b>Cable web</b>	<b>PVC, P01BK, UL</b>
------------------	-----------------------

PVC-cable for measurement and control-, and sensor technology. Suitable for applications in dry areas on packaging machines, assembly- and conveyor technology. High flexibility with unstressed movement (conditional drag-chain application possible). Predestined for applications in food- and beverage industry.

Outer diameter of jacket	4.70 mm
Cable-jacket material	PVC
Jacket color	BK, similar RAL9005
Wire cross-section	4 x 0.25 mm <sup>2</sup>
Wire insulation material	PVC
Wire colors	BN, WH, BU, BK
Wire structure	14 x 0.15 mm
Bending radius (fixed)	5 x Ø-cable
Bending radius (repeated)	10 x Ø-cable
Temperature range (repeated)	0°C...+80°C
Temperature range (fixed)	-25°C...+80°C
Rated voltage cable	≤300 V
Special features	good resistance against oils and chemicals, LABS free, ozone resistant, recyclable, RoHs compliant, acid- and alkali resistant, seawater resistant, UV resistant

<b>Classification</b>	
-----------------------	--

eCl@ss 6.0	27279218
eCl@ss 7.0	27279218
eCl@ss 8.0	27279218
eCl@ss 9.0	27060311
ETIM 5.0	EC001855
ETIM 6.0	EC001855

<b>Accessories</b>
--------------------

Mounting-clip, M12 <a href="https://www.escha.net/en/products/standard/accessories-for-connectivity/8047660">https://www.escha.net/en/products/standard/accessories-for-connectivity/8047660</a>
Marking rings Ø 9mm <a href="https://www.escha.net/en/products/standard/accessories-for-connectivity?p=1&amp;o=3&amp;n=15&amp;f=809">https://www.escha.net/en/products/standard/accessories-for-connectivity?p=1&amp;o=3&amp;n=15&amp;f=809</a>
Screw plug, Ø8mm snap <a href="https://www.escha.net/en/products/standard/accessories-for-connectivity/8081769">https://www.escha.net/en/products/standard/accessories-for-connectivity/8081769</a>
Cable Stripping Tool <a href="https://www.escha.net/en/products/standard/accessories-for-connectivity/8066215">https://www.escha.net/en/products/standard/accessories-for-connectivity/8066215</a>
Cable Stripping Tool <a href="https://www.escha.net/en/products/standard/accessories-for-connectivity/8066216">https://www.escha.net/en/products/standard/accessories-for-connectivity/8066216</a>

<b>Link to product</b>
------------------------

<https://www.escha.net/en/products/standard/sensoractuator-connectors/8082056>