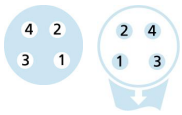
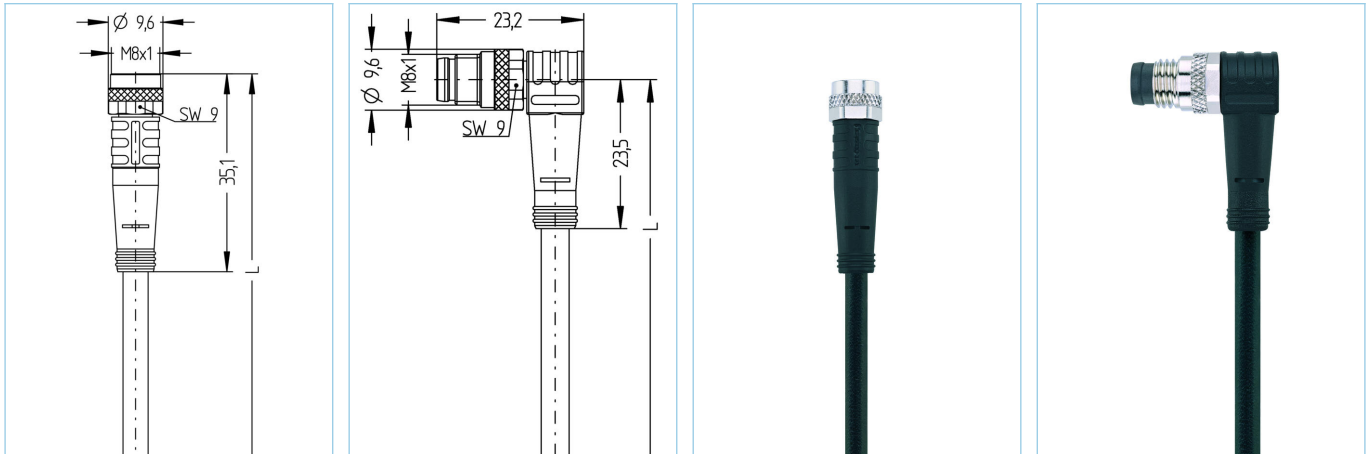


M8, female, straight, 4 poles, M8, male, angled, 4 poles, sensor-/actuator cable



Product data

|                    |                          |
|--------------------|--------------------------|
| Item description   | AL-SKP4-2-AL-SWSP4/P01BK |
| Item-No.           | 8081947                  |
| Length             | 2m                       |
| Customs tariff-No. | 85444290                 |
| Step-File          | AL-SKP4_AL-SWSP4.stp     |
| EAN                | 4047106233778            |

Technical data

|                                | A-side                     | B-side                     |
|--------------------------------|----------------------------|----------------------------|
| Connector                      | female, straight, M8       | male, angled, M8           |
| Number of pins                 | 4                          | 4                          |
| Pin assignment                 | 1 BN, 2 WH, 3 BU, 4BK      | 1 BN, 2 WH, 3 BU, 4BK      |
| Rated voltage                  | 60V                        | 60V                        |
| Current load (at 40°C)         | 4A                         | 4A                         |
| Insulation resistance          | $\geq 10^9 \Omega$         | $\geq 10^9 \Omega$         |
| Resistance                     | $\leq 5 m\Omega$           | $\leq 5 m\Omega$           |
| Ambient temperature product    | -30°C...+90°C              | -30°C...+90°C              |
| Contact material               | Metal, CuSn, gold-plated   | Metal, CuSn, gold-plated   |
| Contact-carrier material       | Plastic, TPU, BK           | Plastic, TPU, BK           |
| Grip body material             | Plastic, TPU, BK           | Plastic, TPU, BK           |
| Coupling nut material          | Metal, CuZn, nickel-plated | Metal, CuZn, nickel-plated |
| Sealing (female) material      | FPM/FKM                    |                            |
| Standards                      | IEC 61076-2-104            | IEC 61076-2-104            |
| Degree of protection (mounted) | IP65, IP67, IP68           | IP65, IP67, IP68           |
| Mechanical life-cycle          | >100 mating cycles         | >100 mating cycles         |
| Degree of pollution            | 3/2                        | 3/2                        |

|                  |                       |
|------------------|-----------------------|
| <b>Cable web</b> | <b>PVC, P01BK, UL</b> |
|------------------|-----------------------|

PVC-cable for measurement and control-, and sensor technology. Suitable for applications in dry areas on packaging machines, assembly- and conveyor technology. High flexibility with unstressed movement (conditional drag-chain application possible). Predestined for applications in food- and beverage industry.

|                              |                                                                                                                                                                  |
|------------------------------|------------------------------------------------------------------------------------------------------------------------------------------------------------------|
| Outer diameter of jacket     | 4.70 mm                                                                                                                                                          |
| Cable-jacket material        | PVC                                                                                                                                                              |
| Jacket color                 | BK, similar RAL9005                                                                                                                                              |
| Wire cross-section           | 4 x 0.25 mm <sup>2</sup>                                                                                                                                         |
| Wire insulation material     | PVC                                                                                                                                                              |
| Wire colors                  | BN, WH, BU, BK                                                                                                                                                   |
| Wire structure               | 14 x 0.15 mm                                                                                                                                                     |
| Bending radius (fixed)       | 5 x Ø-cable                                                                                                                                                      |
| Bending radius (repeated)    | 10 x Ø-cable                                                                                                                                                     |
| Temperature range (repeated) | 0°C...+80°C                                                                                                                                                      |
| Temperature range (fixed)    | -25°C...+80°C                                                                                                                                                    |
| Rated voltage cable          | ≤300 V                                                                                                                                                           |
| Special features             | good resistance against oils and chemicals, LABS free, ozone resistant, recyclable, RoHs compliant, acid- and alkali resistant, seawater resistant, UV resistant |

|                       |  |
|-----------------------|--|
| <b>Classification</b> |  |
|-----------------------|--|

|            |          |
|------------|----------|
| eCl@ss 6.0 | 27279218 |
| eCl@ss 7.0 | 27279218 |
| eCl@ss 8.0 | 27279218 |
| eCl@ss 9.0 | 27060311 |
| ETIM 5.0   | EC001855 |
| ETIM 6.0   | EC001855 |

|                    |
|--------------------|
| <b>Accessories</b> |
|--------------------|

**Mounting-clip, M8**

<https://www.escha.net/en/products/standard/accessories-for-connectivity/8047658>

**Torque-wrench set**

<https://www.escha.net/en/products/standard/accessories-for-connectivity/8055431>

**Marking rings Ø 9mm**

<https://www.escha.net/en/products/standard/accessories-for-connectivity?p=1&o=3&n=15&f=809>

**Screw plug, M8**

<https://www.escha.net/en/products/standard/accessories-for-connectivity/8081771>

**Screw cap, M8**

<https://www.escha.net/en/products/standard/accessories-for-connectivity/8081761>

|                        |
|------------------------|
| <b>Link to product</b> |
|------------------------|

<https://www.escha.net/en/products/standard/sensoractuator-connectors/8081947>