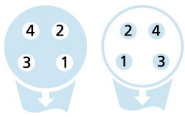
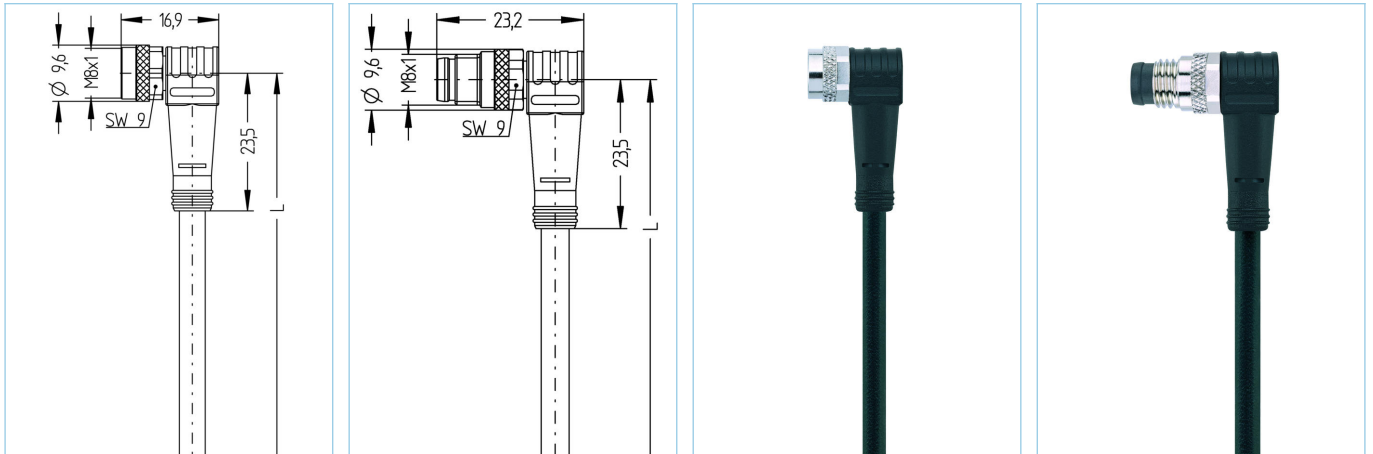


M8, female, angled, 4 poles, M8, male, angled, 4 poles, sensor-/actuator cable



**Product data**

|                    |                           |
|--------------------|---------------------------|
| Item description   | AL-SWKP4-5-AL-SWSP4/P01BK |
| Item-No.           | 8081945                   |
| Length             | 5m                        |
| Customs tariff-No. | 85444290                  |
| Step-File          | AL-SWKP4_AL-SWSP4.stp     |
| EAN                | 4047106233754             |

**Technical data**

|                                | A-side                     | B-side                     |
|--------------------------------|----------------------------|----------------------------|
| Connector                      | female, angled, M8         | male, angled, M8           |
| Number of pins                 | 4                          | 4                          |
| Pin assignment                 | 1 BN, 2 WH, 3 BU, 4BK      | 1 BN, 2 WH, 3 BU, 4BK      |
| Rated voltage                  | 60V                        | 60V                        |
| Current load (at 40°C)         | 4A                         | 4A                         |
| Insulation resistance          | $\geq 10^9 \Omega$         | $\geq 10^9 \Omega$         |
| Resistance                     | $\leq 5 m\Omega$           | $\leq 5 m\Omega$           |
| Ambient temperature product    | -30°C...+90°C              | -30°C...+90°C              |
| Contact material               | Metal, CuSn, gold-plated   | Metal, CuSn, gold-plated   |
| Contact-carrier material       | Plastic, TPU, BK           | Plastic, TPU, BK           |
| Grip body material             | Plastic, TPU, BK           | Plastic, TPU, BK           |
| Coupling nut material          | Metal, CuZn, nickel-plated | Metal, CuZn, nickel-plated |
| Sealing (female) material      | FPM/FKM                    |                            |
| Standards                      | IEC 61076-2-104            | IEC 61076-2-104            |
| Degree of protection (mounted) | IP65, IP67, IP68           | IP65, IP67, IP68           |
| Mechanical life-cycle          | >100 mating cycles         | >100 mating cycles         |
| Degree of pollution            | 3/2                        | 3/2                        |

**Cable web** PVC, P01BK, UL

PVC-cable for measurement and control-, and sensor technology. Suitable for applications in dry areas on packaging machines, assembly- and conveyor technology. High flexibility with unstressed movement (conditional drag-chain application possible). Predestined for applications in food- and beverage industry.

|                              |  |
|------------------------------|--|
| Outer diameter of jacket     | 4.70 mm  |
| Cable-jacket material        | PVC  |
| Jacket color                 | BK, similar RAL9005  |
| Wire cross-section           | 4 x 0.25 mm <sup>2</sup>   |
| Wire insulation material     | PVC  |
| Wire colors                  | BN, WH, BU, BK   |
| Wire structure               | 14 x 0.15 mm   |
| Bending radius (fixed)       | 5 x Ø-cable  |
| Bending radius (repeated)    | 10 x Ø-cable   |
| Temperature range (repeated) | 0°C...+80°C  |
| Temperature range (fixed)    | -25°C...+80°C  |
| Rated voltage cable          | ≤300 V   |
| Special features             | good resistance against oils and chemicals, LABS free, ozone resistant, recyclable, RoHs compliant, acid- and alkali resistant, seawater resistant, UV resistant |

**Classification**

|            |          |
|------------|----------|
| eCl@ss 6.0 | 27279218 |
| eCl@ss 7.0 | 27279218 |
| eCl@ss 8.0 | 27279218 |
| eCl@ss 9.0 | 27060311 |
| ETIM 5.0   | EC001855 |
| ETIM 6.0   | EC001855 |

**Accessories**
**Mounting-clip, M8**

<https://www.escha.net/en/products/standard/accessories-for-connectivity/8047658>

**Torque-wrench set**

<https://www.escha.net/en/products/standard/accessories-for-connectivity/8055431>

**Marking rings Ø 9mm**

<https://www.escha.net/en/products/standard/accessories-for-connectivity?p=1&o=3&n=15&f=809>

**Screw plug, M8**

<https://www.escha.net/en/products/standard/accessories-for-connectivity/8081771>

**Screw cap, M8**

<https://www.escha.net/en/products/standard/accessories-for-connectivity/8081761>

**Link to product**

<https://www.escha.net/en/products/standard/sensoractuator-connectors/8081945>