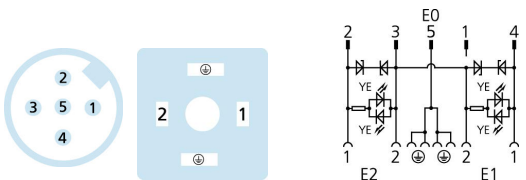
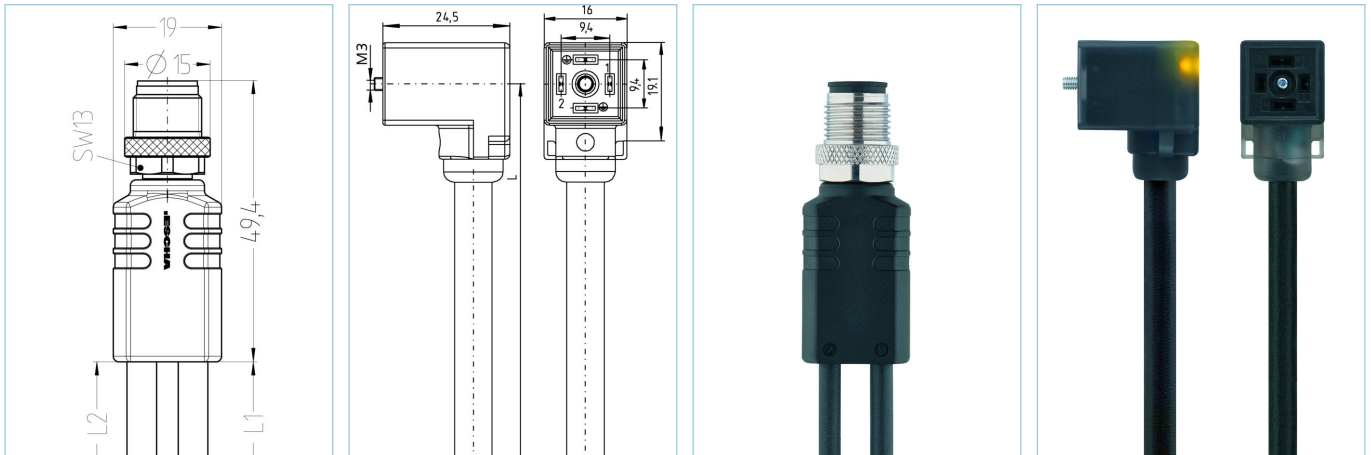


Y-splitter, M12, male, straight, 5 poles, with cable outlet, valve connector, housing style CI, 2+PE, valve connector, housing style CI, 2+PE, z-diode



Product data

Item description	YK-FS5M12-2VCI22-24.4-2/2/S370
Item-No.	8077655
Length	2m
Customs tariff-No.	85444290
Step-File	YK-FS5M12-2VCI22-L_L.stp
EAN	4047106235611

Technical data	Exit 0	Exit 1	Exit 2
Connector	male, M12, straight	female, Valve CI, angled	female, Valve CI, female
Contact material	Metal, CuZn, gold-plated	Metal, CuSn, silver-plated	Metal, CuSn, silver-plated
Contact-carrier material	Plastic, TPU, BK	Plastic, PA, BK	Plastic, PA, BK
Coupling nut material	Metal, CuZn, nickel-plated		
Grip body material	Plastic, TPU, BK	Plastic, TPU, BK, translucent	Plastic, TPU, BK, translucent
Rated voltage	60V	24V _{ACDC}	24V _{ACDC}
Coding of	A		
Number of pins	5	2+PE, PE bridged	2+PE, PE bridged
Current load (at 40°C)	4A	4A	4A

Insulation resistance	≥10 ⁸ Ω
Ambient temperature product	-30°C...+90°C
Signal status-indicator	LED YE
Sealing (female) material	Plastic, TPU
Fixing screw	Metal, CuZn, nickel-plated
Mechanical life-cycle	>100 mating cycles
Standards	IEC 61076-2-101, DIN EN 175301-803
Degree of protection (mounted)	IP65, IP67, IP68
Protection circuit	Z-diode
Degree of pollution	3

Cable web	PUR, UL, S370
------------------	----------------------

Flexible, silicone- and halogen-free control line with high mechanical strength. The cable is chemicals, hydrolysis-, and microbes- resistant. The drag-chain application is possible at a bending radius of minimum 10 x d. Due to its weld-field immunity, the cable is very well suited for the flexible application in robotics, machine-tool, and metal-cutting production. The cables meet the UL and CSA (UL10493/20549; cULus) requirements.

Outer diameter of jacket	5.20 mm
Cable-jacket material	PUR
Jacket color	BK, similar RAL9005
Wire cross-section	5 x 0.34 mm ²
Wire insulation material	PP
Wire colors	BN, WH, BU, BK, GNYE
Wire structure	42 x 0.10 mm
Bending radius (fixed)	5 x Ø-cable
Bending radius (repeated)	10 x Ø-cable
Temperature range (repeated)	-30°C...+90°C
Temperature range (fixed)	-40°C...+90°C
Temperature range (drag chain)	-25°C...+60°C
Drag chain-application	3 Mio. cycles
Halogen-free	Yes
Torsion	+/-180°/m, < 1 Mio. cycles
Rated voltage cable	≤300 V
Special features	flame retardant, halogen free, hydrolysis proof, LABS free, oil resistant, ozone resistant, recyclable, RoHs compliant, acid- and alkali resistant, drag chain-adapted, welding sparks resistant, seawater resistant, silicone free, torsion resistant, UV resistant

Classification	
-----------------------	--

eCl@ss 6.0	27279218
eCl@ss 7.0	27279218
eCl@ss 8.0	27279218
eCl@ss 9.0	27060313
ETIM 5.0	EC001855
ETIM 6.0	EC001855

Link to product	
------------------------	--

<https://www.escha.net/en/products/standard/t-splitters-y-splitters/8077655>