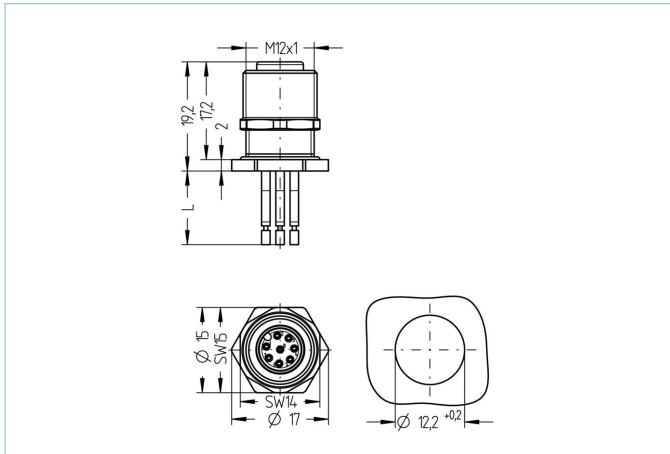


Receptacle, M12, female, straight, 8 poles, back wall-mounting, wire contact



Product data

Item description	AL-FHM12KUA8-0,5/M12/S3525
Item-No.	8076825
Customs tariff-No.	85444290
Packaging unit	5
Step-File	AL-FHM12KUA8-m_M12_S3550.stp
EAN	4047106252571

Technical data

Connector	female, straight, M12
Number of pins	8
Pin assignment	1 WH, 2 BN, 3 GN, 4 YE, 5 GY, 6 PK, 7 BU, 8 RD
Coding	A
Rated voltage	30V
Current load per pin (at 40°C)	2A
Insulation resistance	≥10 ⁹ Ω
Ambient temperature product	-30°C...+90°C
Contact material	Metal, CuZn, gold-plated
Contact-carrier material	Plastic, PA GF, BK
Receptacle housing material	Metal, CuZn, nickel-plated
Sealing (female) material	FPM/FKM
Material of external sealing	NBR
Mounting direction	Back wall-mounting (incl. Fixing screw)
Wrench size of fastening nut	A/F14
Wall thickness area (Δh)	1,0...2,5 mm
Wire length	0.50m
Wire colors	WH, BN, GN, YE, GY, PK, BU, RD
Wire cross-section	8 x 0.25 mm ²
Wire insulation material	PVC
Fastening thread	M12x1

Connecting type	Wire contact
Standards	IEC 61076-2-101
Degree of protection (mounted)	IP65, IP67, IP68
Mechanical life-cycle	>100 mating cycles
Degree of pollution	3
Style	straight

Classification

eCl@ss 6.0	27279220
eCl@ss 7.0	27440103
eCl@ss 8.0	27440103
eCl@ss 9.0	27440103
ETIM 5.0	EC002061
ETIM 6.0	EC002061

Link to product

<https://www.escha.net/en/products/standard/receptacles/8076825>