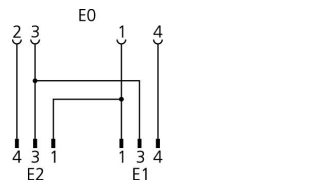
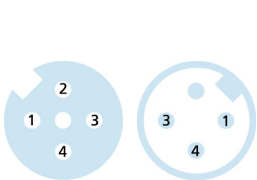
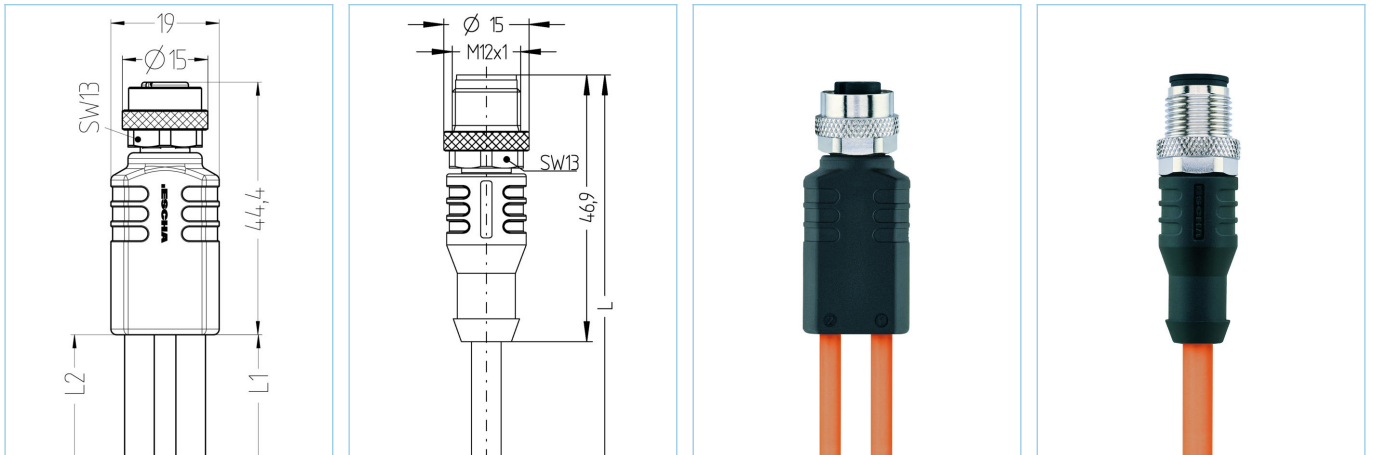


Y-splitter, M12, female, straight, 4 poles, with cable outlet, M12, male, straight, 3 poles, M12, male, straight, 3 poles



Product data

| | |
|--------------------|------------------------------|
| Item description | YK-FK4M12-2AL-WAS3-2/2/S7400 |
| Item-No. | 8076041 |
| Length | 2m |
| Customs tariff-No. | 85444290 |
| Step-File | YK-FK4M12-2AL-WAS3-L_L.stp |
| EAN | 4047106174347 |

| Technical data | Exit 0 | Exit 1 | Exit 2 |
|--------------------------|----------------------------|----------------------------|----------------------------|
| Connector | female, M12, straight | male, M12, straight | male, M12, straight |
| Contact material | Metal, CuZn, gold-plated | Metal, CuSn, gold-plated | Metal, CuSn, gold-plated |
| Contact-carrier material | Plastic, TPU, BK | Plastic, TPU, BK | Plastic, TPU, BK |
| Coupling nut material | Metal, CuZn, nickel-plated | Metal, CuZn, nickel-plated | Metal, CuZn, nickel-plated |
| Rated voltage | 60V | 250V | 250V |
| Coding of | A | A | A |
| Number of pins | 4 | 3 | 3 |
| Current load (at 40°C) | 4A | 4A | 4A |

| | |
|--------------------------------|--------------------|
| Insulation resistance | $\geq 10^9 \Omega$ |
| Ambient temperature product | -30°C...+90°C |
| Grip body material | Plastic, TPU, BK |
| Sealing (female) material | FPM/FKM |
| Mechanical life-cycle | >100 mating cycles |
| Standards | IEC 61076-2-101 |
| Degree of protection (mounted) | IP65, IP67, IP68 |
| Degree of pollution | 3 |

| | |
|------------------|--------------------------------|
| Cable web | PUR, UL, S7400, robotic |
|------------------|--------------------------------|

Flexible, silicone- and halogen free control cable with high mechanical strength. Due to its outstanding properties in drag-chain adaption, torsionresistance and weld-field immunity, it is very well suited for the flexible applications in robotics, handling- and assembly technology as well as machine tools. The cable meets the UL and CSA (UL10493/20549; cULus) requirements.

| | |
|--------------------------------|--|
| Outer diameter of jacket | 4.80 mm |
| Cable-jacket material | PUR |
| Jacket color | OG, similar RAL2003 |
| Wire cross-section | 3 x 0.34 mm ² |
| Wire insulation material | PP |
| Wire colors | BN, BU, BK |
| Wire structure | 42 x 0.10 mm |
| Bending radius (fixed) | 5 x Ø-cable |
| Bending radius (repeated) | 10 x Ø-cable |
| Temperature range (repeated) | -30°C...+90°C |
| Temperature range (fixed) | -40°C...+90°C |
| Temperature range (drag chain) | -25°C...+60°C |
| Drag chain-application | ≥ 10 Mio. cycles |
| Halogen-free | Yes |
| Torsion | +/-360°/m, ≥ 10 Mio. cycles |
| Rated voltage cable | ≤300 V |
| Special features | flame retardant, halogen free, hydrolysis proof, LABS free, oil resistant, ozone resistant, recyclable, RoHs compliant, acid- and alkali resistant, drag chain-adapted, welding sparks resistant, seawater resistant, silicone free, torsion resistant, UV resistant |

| | |
|-----------------------|--|
| Classification | |
|-----------------------|--|

| | |
|------------|----------|
| eCl@ss 6.0 | 27279218 |
| eCl@ss 7.0 | 27279218 |
| eCl@ss 8.0 | 27279218 |
| eCl@ss 9.0 | 27060313 |
| ETIM 5.0 | EC001855 |
| ETIM 6.0 | EC001855 |

| |
|------------------------|
| Link to product |
|------------------------|

<https://www.escha.net/en/products/standard/t-splitters-y-splitters/8076041>