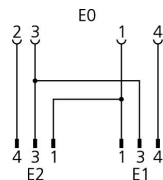
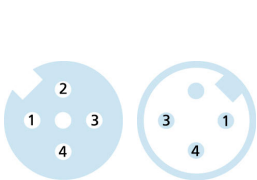
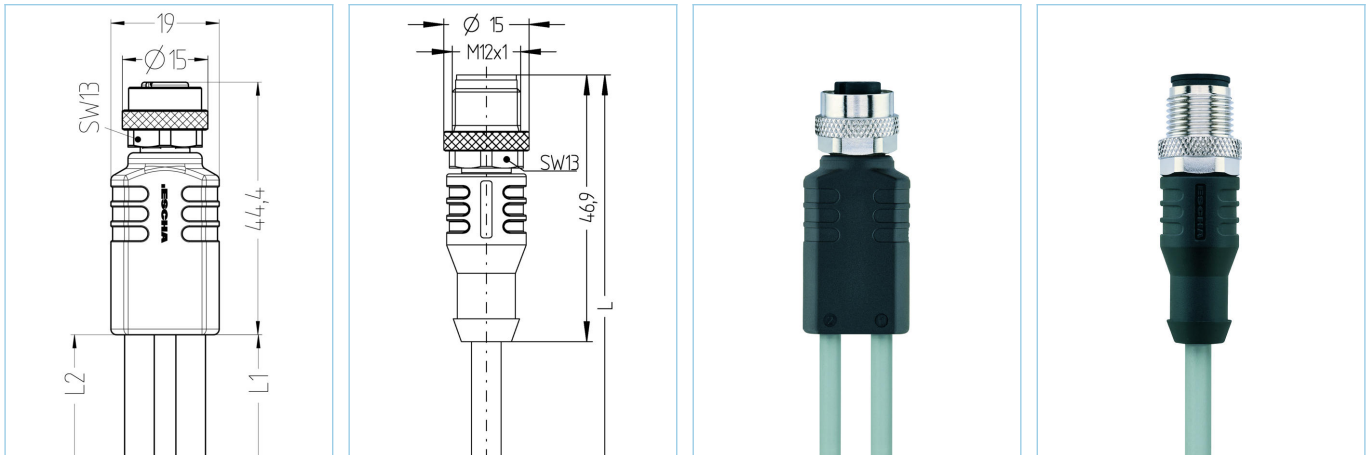


Y-splitter, M12, female, straight, 4 poles, with cable outlet, M12, male, straight, 3 poles, M12, male, straight, 3 poles



**Product data**

|                    |                            |
|--------------------|----------------------------|
| Item description   | YK-FK4M12-2AL-WAS3-1/1/P00 |
| Item-No.           | 8076011                    |
| Length             | 1m                         |
| Customs tariff-No. | 85444290                   |
| Step-File          | YK-FK4M12-2AL-WAS3-L_L.stp |
| EAN                | 4047106174279              |

| Technical data           | Exit 0                     | Exit 1                     | Exit 2                     |
|--------------------------|----------------------------|----------------------------|----------------------------|
| Connector                | female, M12, straight      | male, M12, straight        | male, M12, straight        |
| Contact material         | Metal, CuZn, gold-plated   | Metal, CuSn, gold-plated   | Metal, CuSn, gold-plated   |
| Contact-carrier material | Plastic, TPU, BK           | Plastic, TPU, BK           | Plastic, TPU, BK           |
| Coupling nut material    | Metal, CuZn, nickel-plated | Metal, CuZn, nickel-plated | Metal, CuZn, nickel-plated |
| Rated voltage            | 60V                        | 250V                       | 250V                       |
| Coding of                | A                          | A                          | A                          |
| Number of pins           | 4                          | 3                          | 3                          |
| Current load (at 40°C)   | 4A                         | 4A                         | 4A                         |

|                                |                    |
|--------------------------------|--------------------|
| Insulation resistance          | $\geq 10^9 \Omega$ |
| Ambient temperature product    | -30°C...+90°C      |
| Grip body material             | Plastic, TPU, BK   |
| Sealing (female) material      | FPM/FKM            |
| Mechanical life-cycle          | >100 mating cycles |
| Standards                      | IEC 61076-2-101    |
| Degree of protection (mounted) | IP65, IP67, IP68   |
| Degree of pollution            | 3                  |

**Cable web** PVC, P00, GY

PVC-cable for measurement and control-, and sensor technology. Suitable for applications in dry areas on packaging machines, assembly- and conveyor technology. High flexibility with unstressed movement (conditional drag-chain application possible). Predestined for applications in food- and beverage industry.

|                              |  |
|------------------------------|--|
| Outer diameter of jacket     | 4.20 mm  |
| Cable-jacket material        | PVC  |
| Jacket color                 | GY, similar RAL7040  |
| Wire cross-section           | 3 x 0.34 mm <sup>2</sup>   |
| Wire insulation material     | PVC  |
| Wire colors                  | BN, BU, BK   |
| Wire structure               | 19 x 0.15 mm   |
| Bending radius (fixed)       | 5 x Ø-cable  |
| Bending radius (repeated)    | 10 x Ø-cable   |
| Temperature range (repeated) | 0°C...+80°C  |
| Temperature range (fixed)    | -25°C...+80°C  |
| Rated voltage cable          | ≤300 V   |
| Special features             | good resistance against oils and chemicals, LABS free, ozone resistant, recyclable, RoHs compliant, acid- and alkali resistant, seawater resistant, UV resistant |

**Classification**

|            |          |
|------------|----------|
| eCl@ss 6.0 | 27279218 |
| eCl@ss 7.0 | 27279218 |
| eCl@ss 8.0 | 27279218 |
| eCl@ss 9.0 | 27060313 |
| ETIM 5.0   | EC001855 |
| ETIM 6.0   | EC001855 |

**Link to product**

<https://www.escha.net/en/products/standard/t-splitters-y-splitters/8076011>