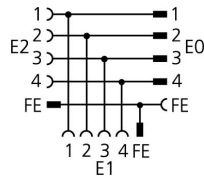
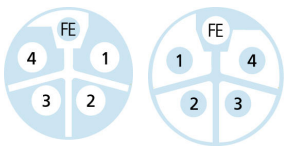
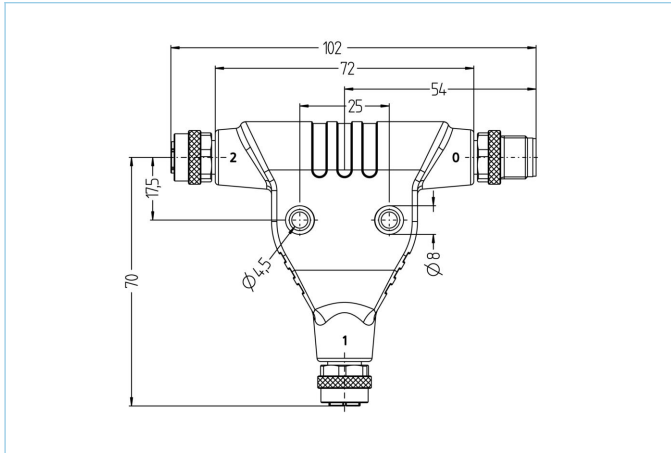


T-splitter, M12, male, straight, 4+FE, L-coded, M12, female, straight, 4+FE, L-coded, M12, female, straight, 4+FE, L-coded, POWER



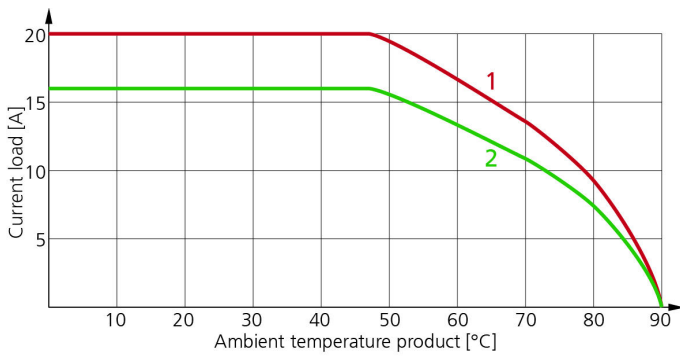
Product data

Item description	PL-TM12-S5-2K5
Item-No.	8075819
Customs tariff-No.	85366990
Step-File	PL-TM12-S5-2K5.stp
EAN	4047106175849

Technical data	Exit 0	Exit 1	Exit 2
Connector	male, M12	female, M12	female, M12
Contact material	Metal, CuZn, gold-plated	Metal, CuZn, gold-plated	Metal, CuZn, gold-plated
Contact-carrier material	Plastic, PA, BK	Plastic, PA, BK	Plastic, PA, BK
Coupling nut material	Metal, CuZn, nickel-plated	Metal, CuZn, nickel-plated	Metal, CuZn, nickel-plated
Rated voltage	63V _{DC}	63V _{DC}	63V _{DC}
Coding of	L	L	L
Number of pins	4+FE	4+FE	4+FE
Current load (at 40°C)	16A	16A	16A

Insulation resistance	≥10 ⁸ Ω
Ambient temperature product	-30°C...+90°C
Grip body material	Plastic, TPU, BK
Sealing (female) material	FPM/FKM
Mechanical life-cycle	>100 mating cycles
Standards	IEC 61076-2-111
Degree of protection (mounted)	IP65, IP67, IP68
Degree of pollution	3

Derating curve according to DIN 60512-5-2



- 1: Base curve
- 2: Derived curve according to DIN 60512-5-2 with correction factor 0,8

UL installation note

https://www.escha.net/media/pdf/ESCHA_Kundeninformation_M12x1_POWER_UL_2020.pdf

Classification

eCl@ss 6.0	27279201
eCl@ss 7.0	27279201
eCl@ss 8.0	27279201
eCl@ss 9.0	27440106
ETIM 5.0	EC002062
ETIM 6.0	EC002925

Link to product

<https://www.escha.net/en/products/standard/power-connectors/8075819>