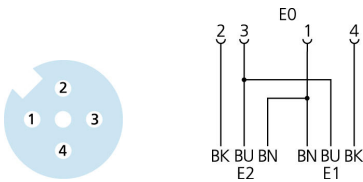
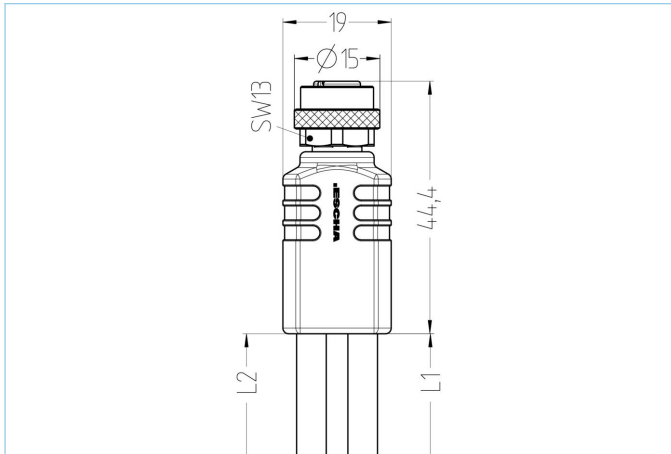


Y-splitter, M12, female, straight, 4 poles, with open cable end



Product data

| | |
|--------------------|-------------------|
| Item description | YK-FK4M12-2/2/P00 |
| Item-No. | 8075696 |
| Length | 2m |
| Customs tariff-No. | 85444290 |
| Step-File | YK-FK4M12-L_L.stp |
| EAN | 4047106175481 |

| Technical data | Exit 0 | Exit 1 | Exit 2 |
|--------------------------|----------------------------|----------------|----------------|
| Connector | female, M12, straight | open cable end | open cable end |
| Contact material | Metal, CuZn, gold-plated | | |
| Contact-carrier material | Plastic, TPU, BK | | |
| Coupling nut material | Metal, CuZn, nickel-plated | | |
| Rated voltage | 60V | | |
| Coding of | A | | |
| Number of pins | 4 | | |
| Current load (at 40°C) | 4A | | |

| | |
|--------------------------------|------------------------|
| Pin assignment | 1 BN, 2 BK, 3 BU, 4 BK |
| Insulation resistance | $\geq 10^8 \Omega$ |
| Resistance | $\leq 5 m\Omega$ |
| Ambient temperature product | -30°C...+90°C |
| Grip body material | Plastic, TPU, BK |
| Sealing (female) material | FPM/FKM |
| Mechanical life-cycle | >100 mating cycles |
| Standards | IEC 61076-2-101 |
| Degree of protection (mounted) | IP65, IP67, IP68 |
| Cable end assembly | open cable end |
| Degree of pollution | 3 |

Cable web PVC, P00, GY

PVC-cable for measurement and control-, and sensor technology. Suitable for applications in dry areas on packaging machines, assembly- and conveyor technology. High flexibility with unstressed movement (conditional drag-chain application possible). Predestined for applications in food- and beverage industry.

| | |
|------------------------------|--|
| Outer diameter of jacket | 4.20 mm |
| Cable-jacket material | PVC |
| Jacket color | GY, similar RAL7040 |
| Wire cross-section | 3 x 0.34 mm ² |
| Wire insulation material | PVC |
| Wire colors | BN, BU, BK |
| Wire structure | 19 x 0.15 mm |
| Bending radius (fixed) | 5 x Ø-cable |
| Bending radius (repeated) | 10 x Ø-cable |
| Temperature range (repeated) | 0°C...+80°C |
| Temperature range (fixed) | -25°C...+80°C |
| Rated voltage cable | ≤300 V |
| Special features | good resistance against oils and chemicals, LABS free, ozone resistant, recyclable, RoHs compliant, acid- and alkali resistant, seawater resistant, UV resistant |

Classification

| | |
|------------|----------|
| eCl@ss 6.0 | 27279218 |
| eCl@ss 7.0 | 27279218 |
| eCl@ss 8.0 | 27279218 |
| eCl@ss 9.0 | 27060313 |
| ETIM 5.0 | EC001855 |
| ETIM 6.0 | EC001855 |

Link to product

<https://www.escha.net/en/products/standard/t-splitters-y-splitters/8075696>