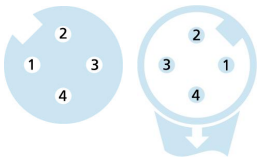
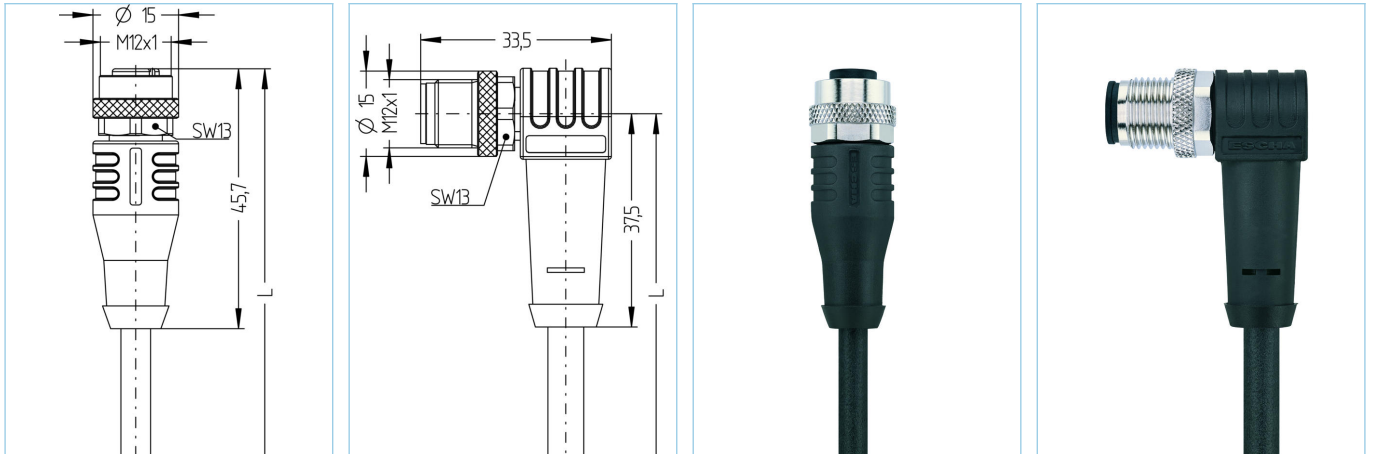


M12, female, straight, 4 poles, M12, male, angled, 4 poles, rail approved



| Product data | |
|--------------------|----------------------------------|
| Item description | RA-WAK4.166-5-RA-WWAS4.166/S4501 |
| Item-No. | 8075372 |
| Length | 5m |
| Customs tariff-No. | 85444290 |
| Step-File | RA-WAK4-L-RA-WWAS4.stp |
| EAN | 4047106160715 |

| Technical data | A-side | B-side |
|---------------------------|--------------------------------|--------------------------------|
| Connector | female, straight, M12 | male, angled, M12 |
| Number of pins | 4 | 4 |
| Pin assignment | 1 WH 1, 2 WH 2, 3 WH 3, 4 WH 4 | 1 WH 1, 2 WH 2, 3 WH 3, 4 WH 4 |
| Coding of | A | A |
| Rated voltage | 250V | 250V |
| Current load (at 40°C) | 4A | 4A |
| Insulation resistance | $\geq 10^8 \Omega$ | $\geq 10^8 \Omega$ |
| Resistance | $\leq 5m\Omega$ | $\leq 5m\Omega$ |
| Contact material | Metal, CuZn, gold-plated | Metal, CuZn, gold-plated |
| Contact-carrier material | Plastic, PA, BK | Plastic, PA, BK |
| Grip body material | Plastic, TPU, BK | Plastic, TPU, BK |
| Coupling nut material | Metal, CuZn, nickel-plated | Metal, CuZn, nickel-plated |
| Sealing (female) material | FPM/FKM | |
| Standards | IEC 61076-2-101 | IEC 61076-2-101 |
| Mechanical life-cycle | >100 mating cycles | >100 mating cycles |
| Degree of pollution | 3 | 3 |

| Advanced technical data rail approved | |
|---------------------------------------|--|
| Standards | DIN EN 50155, DIN EN 45545-2 |
| Shock & vibration | Class 1, Category B (DIN EN 61373) |
| Degree of protection (mounted) | IP67 (-30°C...+90°C), IP65 (-40°C...+90°C) |
| Temperature range | Tx (-40°C...+90°C) |
| Fire prevention according to | DIN EN 45545-2 HL1-3 |

Cable web **RADOX®, 4x0,75mm², S4501**

Halogen-free, electron-beam cross-linked cable with improved behaviour in case of fire, easy to strip, soldering resistant and flexible. The cable is intended for fixed, mechanically protected installation inside railway vehicles or for installation in applications where limited alternating bending stresses occur during operation. The cable fulfills the requirements according to EN 50306-4 and EN 45545-2 (HL1 - HL3). It is characterized by a wide temperature range and a high oil- and fuel resistance. RADOX® is a registered trademark of HUBER+SUHNER AG, Switzerland.

| | |
|------------------------------|---|
| Outer diameter of jacket | 5.4 mm |
| Cable-jacket material | RADOX® EM 104 |
| Jacket color | BK, similar RAL9005 |
| Wire cross-section | 4 x 0.75 mm² |
| Wire insulation material | RADOX® EI 306 |
| Wire colors | WH 1, WH 2, WH 3, WH 4 |
| Wire structure | 19 x 0,23 mm |
| Bending radius (fixed) | 3xØ-cable |
| Bending radius (repeated) | 4xØ-cable |
| Temperature range (fixed) | -40°C...+120°C |
| Fire prevention according to | DIN EN 45545-2 HL1-3, DIN 5510 fire prevention-levels 1-4, NF F16-101 category A1, A2, B |
| Halogen-free | Yes |
| Special features | increased thermal load, flame retardant, low emission of smoke, halogen free, oil- and fuel resistant, RoHs compliant |

Classification

| | |
|------------|----------|
| eCl@ss 6.0 | 27279218 |
| eCl@ss 7.0 | 27279218 |
| eCl@ss 8.0 | 27279218 |
| eCl@ss 9.0 | 27060311 |
| ETIM 5.0 | EC001855 |
| ETIM 6.0 | EC001855 |

Accessories

| |
|--|
| Torque-wrench set https://www.escha.net/en/products/standard/accessories-for-connectivity/8055431 |
| Marking rings Ø 9mm https://www.escha.net/en/products/standard/accessories-for-connectivity?p=1&o=3&n=15&f=809 |
| Cable Stripping Tool https://www.escha.net/en/products/standard/accessories-for-connectivity/8066215 |
| Screw plug, M12 https://www.escha.net/en/products/standard/accessories-for-connectivity?p=1&o=3&n=15&f=812 |
| Screw cap, M12 https://www.escha.net/en/products/standard/accessories-for-connectivity?p=1&o=3&n=15&f=811 |
| Mounting-clip, M12 https://www.escha.net/en/products/standard/accessories-for-connectivity/8047660 |
| Mounting-set, M12 https://www.escha.net/en/products/standard/accessories-for-connectivity/8047664 |
| Safety-clip, M12 |

Link to product

<https://www.escha.net/en/products/standard/connectors-for-bus-and-rail/8075372>