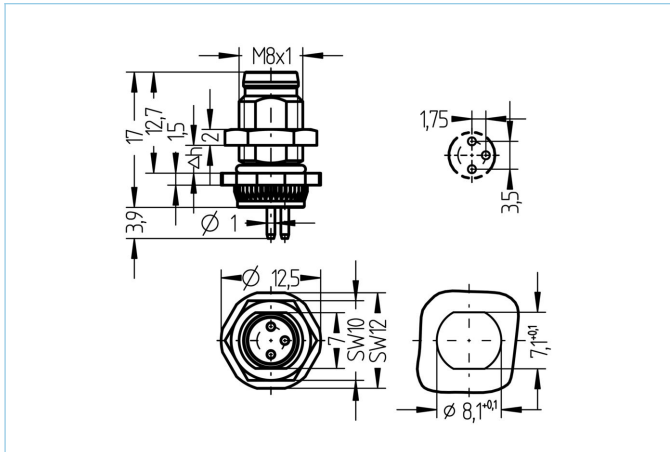


## Receptacle, M8, male, straight, 3 poles, back wall-mounting, print contact



Product data	
Item description	AL-FHM8SUA3-P/M8
Item-No.	8073397
Customs tariff-No.	85366990
Packaging unit	10
Step-File	AL-FHM8SUA3P_M8.stp
EAN	4047106168544
Technical data	
Connector	male, straight, M8
Number of pins	3
Coding	A
Rated voltage	60V
Current load per pin (at 40°C)	4A
Ambient temperature product	-30°C...+90°C
Reflow	2 min. 250 °C
Contact material	Metal, CuZn, gold-plated
Contact-carrier material	Plastic, TPU, BK
Receptacle housing material	Metal, CuZn, nickel-plated
Mounting direction	Back wall-mounting (incl. Fixing screw)
Wall thickness area (Δh)	2,0...4,5 mm
Adjustable fixing screw	Yes
Fastening thread	M8x1
Connecting type	Print contact
Standards	IEC 61076-2-104
Degree of protection (mounted)	IP65, IP67, IP68
Mechanical life-cycle	>100 mating cycles
Degree of pollution	3
Style	straight

#### Classification

eCl@ss 6.0	27279220
eCl@ss 7.0	27440103
eCl@ss 8.0	27440103
eCl@ss 9.0	27440103
ETIM 5.0	EC002061
ETIM 6.0	EC002061

#### Link to product

<https://www.escha.net/en/products/standard/receptacles/8073397>