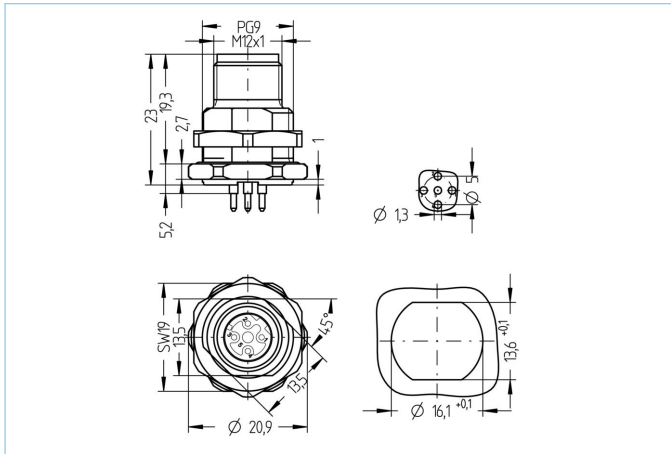


Receptacle, M12, male, straight, 4 poles, D-coded, back wall-mounting, print contact, Industrial Ethernet



Product data

| | |
|--------------------|--------------------|
| Item description | IE-FHM12SUD4-P/PG9 |
| Item-No. | 8072587 |
| Customs tariff-No. | 85444290 |
| EAN | 4047106170318 |

Technical data

| | |
|--------------------------------|---|
| Connector | male, straight, M12 |
| Number of pins | 4 |
| Coding | D |
| Rated voltage | 250V |
| Current load per pin (at 40°C) | 4A |
| Insulation resistance | $\geq 10^9 \Omega$ |
| Ambient temperature product | -40°C...+90°C |
| Reflow | 2 min. 250 °C |
| Contact material | Metal, CuZn, gold-plated |
| Contact-carrier material | Plastic, PA GF, GN |
| Receptacle housing material | Metal, CuZn, nickel-plated |
| Mounting direction | Back wall-mounting (incl. Fixing screw) |
| Wrench size of fastening nut | A/F19 |
| Fastening thread | PG9 |
| Connecting type | Print contact |
| Degree of protection (mounted) | IP65, IP67, IP68 |
| Mechanical life-cycle | >100 mating cycles |
| Degree of pollution | 3 |
| Style | straight |

| Classification | |
|----------------|----------|
| eCl@ss 6.0 | 27279220 |
| eCl@ss 7.0 | 27440103 |
| eCl@ss 8.0 | 27440103 |
| eCl@ss 9.0 | 27440103 |
| ETIM 5.0 | EC002061 |
| ETIM 6.0 | EC002061 |