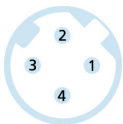
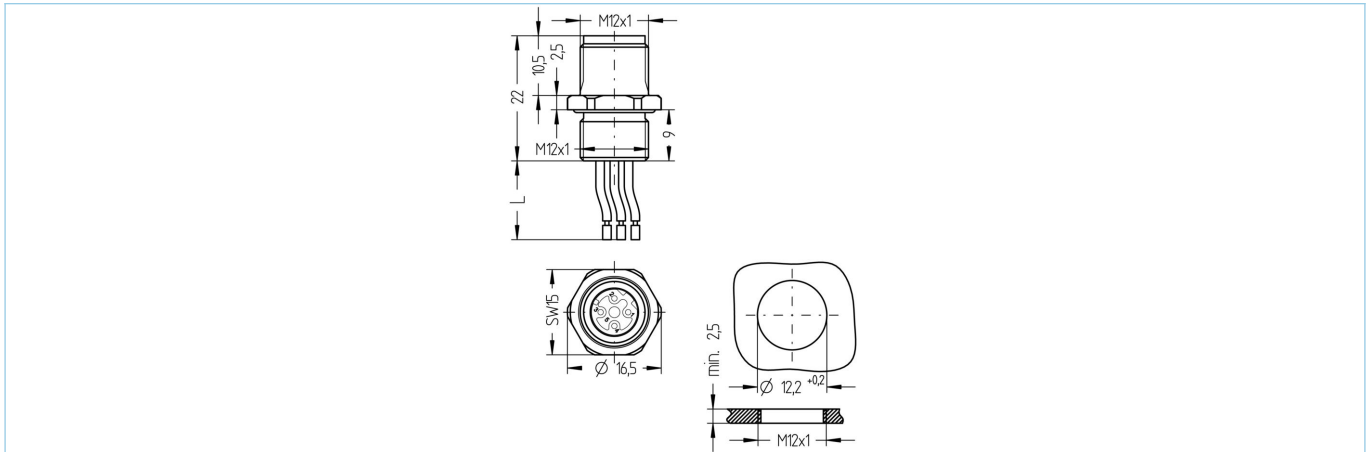


Receptacle, M12, male, straight, 4 poles, D-coded, front wall-mounting, wire contact, Industrial Ethernet



Product data

| | |
|--------------------|--------------------------|
| Item description | IE-FVM12SUD4.029-0,5/M12 |
| Item-No. | 8072523 |
| Customs tariff-No. | 85444290 |
| EAN | 4047106170387 |

Technical data

| | |
|--------------------------------|--|
| Connector | male, straight, M12 |
| Number of pins | 4 |
| Coding | D |
| Rated voltage | 250V |
| Current load per pin (at 40°C) | 4A |
| Insulation resistance | ≥10 ⁹ Ω |
| Ambient temperature product | -40°C...+90°C |
| Contact material | Metal, CuZn, gold-plated |
| Contact-carrier material | Plastic, PA GF, GN |
| Receptacle housing material | Metal, CuZn, nickel-plated |
| Mounting direction | Front wall-mounting (without fixing screw) |
| Wire length | 0.50m |
| Wire colors | YE/OG ; WH/BU |
| Wire cross-section | 4 x 0.34 mm ² |
| Wire insulation material | PVC |
| Fastening thread | M12x1 |
| Connecting type | Wire contact |
| Degree of protection (mounted) | IP65, IP67, IP68 |
| Mechanical life-cycle | >100 mating cycles |
| Degree of pollution | 3 |
| Style | straight |

Classification

| | |
|------------|----------|
| eCl@ss 6.0 | 27279220 |
| eCl@ss 7.0 | 27440103 |
| eCl@ss 8.0 | 27440103 |
| eCl@ss 9.0 | 27440103 |
| ETIM 5.0 | EC002061 |
| ETIM 6.0 | EC002061 |