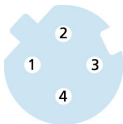
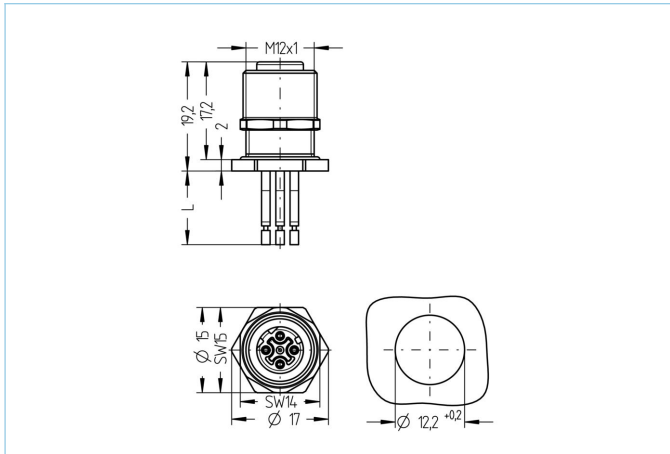


Receptacle, M12, female, straight, 4 poles, D-coded, back wall-mounting, wire contact, Industrial Ethernet



**Product data**

Item description	IE-FHM12KUD4.029-0,5/M12/S3550
Item-No.	8072506
Customs tariff-No.	85444290
EAN	4047106170240

**Technical data**

Connector	female, straight, M12
Number of pins	4
Coding	D
Rated voltage	250V
Current load per pin (at 40°C)	4A
Insulation resistance	≥10 <sup>9</sup> Ω
Ambient temperature product	-40°C...+90°C
Contact material	Metal, CuZn, gold-plated
Contact-carrier material	Plastic, PA GF, GN
Receptacle housing material	Metal, CuZn, nickel-plated
Sealing (female) material	FPM/FKM
Mounting direction	Back wall-mounting (incl. Fixing screw)
Wrench size of fastening nut	A/F15
Wire length	0.50m
Wire colors	YE/OG ; WH/BU
Wire cross-section	12 x 0.14 mm <sup>2</sup>
Wire insulation material	PVC
Fastening thread	M12x1
Connecting type	Wire contact
Degree of protection (mounted)	IP65, IP67, IP68
Mechanical life-cycle	>100 mating cycles
Degree of pollution	3
Style	straight

**Classification**

eCl@ss 6.0	27279220
eCl@ss 7.0	27440103
eCl@ss 8.0	27440103
eCl@ss 9.0	27440103
ETIM 5.0	EC002061
ETIM 6.0	EC002061