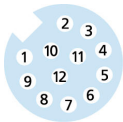
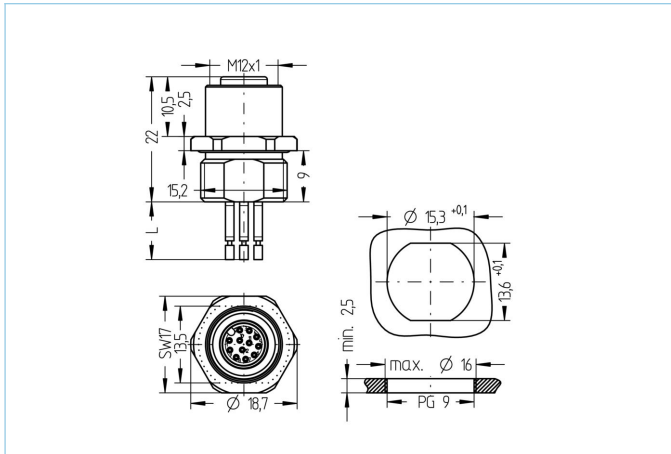


## Receptacle, M12, female, straight, 12 poles, front wall-mounting, wire contact



### Product data

Item description	AL-FVM12KUA12-0,5/PG9
Item-No.	8072470
Customs tariff-No.	85444290
Packaging unit	5
Step-File	AL-FVM12KUA12-m_PG9.stp
EAN	4047106169954

### Technical data

Connector	female, straight, M12
Number of pins	12
Pin assignment	1 BN, 2 BU, 3 WH, 4 GN, 5 PK, 6 YE, 7 BK, 8 GY, 9 RD, 10 VT, 11 GYPK, 12 RDBU
Coding	A
Rated voltage	30V
Current load per pin (at 40°C)	1.5A
Insulation resistance	≥10 <sup>9</sup> Ω
Ambient temperature product	-30°C...+90°C
Contact material	Metal, CuZn, gold-plated
Contact-carrier material	Plastic, PA GF, BK
Receptacle housing material	Metal, CuZn, nickel-plated
Sealing (female) material	FPM/FKM
Material of external sealing	NBR
Mounting direction	Front wall-mounting (without fixing screw)
Wire length	0.50m
Wire colors	BN, BU, WH, GN, PK, YE, BK, GY, RD, VT, GYPK, RDBU
Wire cross-section	12 x 0.14 mm <sup>2</sup>
Wire insulation material	PVC
Fastening thread	PG9

Connecting type	Wire contact
Standards	IEC 61076-2-101
Degree of protection (mounted)	IP65, IP67, IP68
Mechanical life-cycle	>100 mating cycles
Degree of pollution	3
Style	straight

#### Classification

eCl@ss 6.0	27279220
eCl@ss 7.0	27440103
eCl@ss 8.0	27440103
eCl@ss 9.0	27440103
ETIM 5.0	EC002061
ETIM 6.0	EC002061

#### Link to product

<https://www.escha.net/en/products/standard/receptacles/8072470>