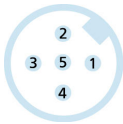
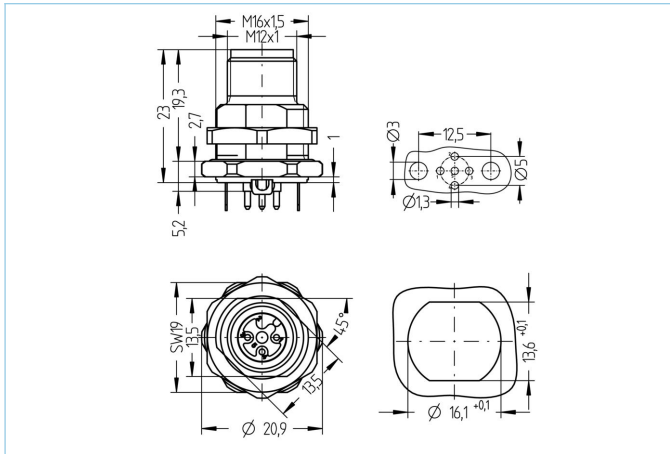


Receptacle, M12, male, straight, 4+PE, back wall-mounting, print contact, shielded



Product data

| | |
|--------------------|------------------------|
| Item description | AL-FHM12SSA5-P/M16 |
| Item-No. | 8072386 |
| Customs tariff-No. | 85366990 |
| Packaging unit | 10 |
| Step-File | AL-FHM12SSA5-P_M16.stp |
| EAN | 4047106169305 |

Technical data

| | |
|--------------------------------|---|
| Connector | male, straight, M12 |
| Number of pins | 4+PE |
| Coding | A |
| Rated voltage | 60V |
| Current load per pin (at 40°C) | 4A |
| Insulation resistance | ≥10 ⁹ Ω |
| Ambient temperature product | -30°C...+90°C |
| Contact material | Metal, CuZn, gold-plated |
| Contact-carrier material | Plastic, PA GF, BK |
| Receptacle housing material | Metal, CuZn, nickel-plated |
| Material of external sealing | NBR |
| Shielding | with shielding |
| Mounting direction | Back wall-mounting (incl. Fixing screw) |
| Wrench size of fastening nut | A/F19 |
| Fastening thread | M16x1.5 |
| Connecting type | Print contact |
| Standards | IEC 61076-2-101 |
| Degree of protection (mounted) | IP65, IP67, IP68 |
| Mechanical life-cycle | >100 mating cycles |
| Degree of pollution | 3 |
| Style | straight |

Classification

| | |
|------------|----------|
| eCl@ss 6.0 | 27279220 |
| eCl@ss 7.0 | 27440103 |
| eCl@ss 8.0 | 27440103 |
| eCl@ss 9.0 | 27440103 |
| ETIM 5.0 | EC002061 |
| ETIM 6.0 | EC002061 |

Link to product

<https://www.escha.net/en/products/standard/receptacles/8072386>